

Stellar
hearth products™



The Galaxy Series™

Luxury Gas Fireplace Collection
Single-Sided, See-Through, Pier, Bay
Left & Right Corners, Four-Sided,
Round and Indoor Outdoor See-Through



Safe-T-Touch™ Glass

Our proprietary glass cooling system keeps the heat away from the outer glass surface to ensure a safe experience in any situation.

Front Cover: Courtesy of AC Hotel by Marriott/JS Photography
Galaxy See Through Fireplace
Model 7ST-36GL
Shown with standard Crystal glass media and LED glass media lights

This Page:
Galaxy Pier Fireplace
Model 6PR-2GL
Shown with optional end panel mirrors, Crystal glass media and LED glass media lights

The Galaxy Series™

Beautiful fires demand to be seen and Stellar's Galaxy Series™ provides multiple viewing areas and designs, indoor and outdoor options, and more BTU's of flame than any other in its class.

Standard Features:

- Standard black interior
- Beautiful ribbon burn
- LED ember lights perfectly accent the fire and fills the firebox with any color of light you'd like (remote control standard)
- Crystal glass media standard
- Commercial grade components
- Co-linear direct vent system with choice of standard power vent system or in-line power vent system
- Wall switch - easy access to turn on/off
- Mechanical intake damper keeps the cold air out
- Insulated firebox base standard

Options:

- Additional colors of glass media
- Variety of natural stone choices
- Mirrored firebox panels
- Driftwood log set
- Envision interior panels
- Universal intake and exhaust louvers

9 Designs - 6 Widths - 4 Heights

It's easy to be taken in by the beautiful fire of a Galaxy fireplace at first glance, so we've designed the whole series around just that to ensure that the beautiful fire remains the focal point no matter where you are in the room.

Whether you're adding a grand single-sided fireplace to your room or using a multi-sided fireplace as a divider to help break up an open concept layout, you have nine different design configurations, in six different widths and four different heights, to help find the perfect fireplace for the space.

- 9 Different Designs: 3" Diameter Round, Indoor Outdoor See-Through, Single-Sided, Bay, See-Through, Pier, Four-Sided and Left & Right Corners
- 6 Different Lengths: 3', 4', 5', 6', 7' & 8'
- 4 Different Heights: 20", 2', 30" & 3'
2' & 3' for Indoor Outdoor See-Through & Round



Model 3RD-24GL
New - Round
Shown with black natural stone



Pier



Right-Corner



Bay



Indoor Outdoor See-Through



Single-Sided



Left-Corner



Four-Sided



See-Through



*Standard LED Lights
Glass Media & Natural Stone Options*

Our Flames Aren't The Only Dazzling Sight In The Firebox

Each Galaxy Series fireplace comes standard with an LED-lighted media bed. This includes a remote control to set the lights to a myriad of different hues and patterns to match whatever mood or color scheme you'd like. It can be changed at any time, easily - with a touch of a button.

The Galaxy fireplaces come standard with the Crystal glass media. The clear, reflective glass pieces have varying sizes and are the perfect material for the LED lights to shine through and accent the beautiful fire.

If you'd like a more earthy look, there are natural stone options available in a variety of colors. The Natural Stone pairs perfectly with the optional driftwood log set and, although the LED Lights do not shine through the bottom as strong, you will enjoy a subtle hint of colors.

Additional color options of the glass media and natural stone ordered separately

Glass Media

The glass media ranges from 1/2" - 3/4" in size



Crystal

Crystal is shipped standard with the fireplace unless another color is specified at the time of order



Red



Caribbean



Copper



Seabreeze



Black



Dark Blue



High Polished Black 1 (1/2" - 1")



High Polished Black 2 (1" - 2")

Natural Stone

The natural stone ranges from 1/2" - 1" pebbles in size

High polished black is also available in a larger 1" - 2" pebble size



Polished Gold



Polished Mixed



Polished Red



Polished Snow White



Lava Stone

Mirrored Panels Option

Multiply The Impact



Galaxy Single-Sided Fireplace
Model 6SS-24GL
Shown with optional mirrored panels, crystal & black mix of glass media

Create Beautiful Reflections That Look Different From Every Angle

Putting mirrors inside a firebox may seem like an unexpected choice, but it truly can take the experience of a beautiful fire to a whole new level.

The mirrors reflect the flames, driftwood, media and LED lights over and over and over again, creating a look that is different from wherever you are within the room.

You can control the amount of reflections depending on which side of the mirrors you use. There is the more subtle reflective side, or the opposite side which is highly reflective (see photo to the left), creating endless iterations and a firebox full of flames.

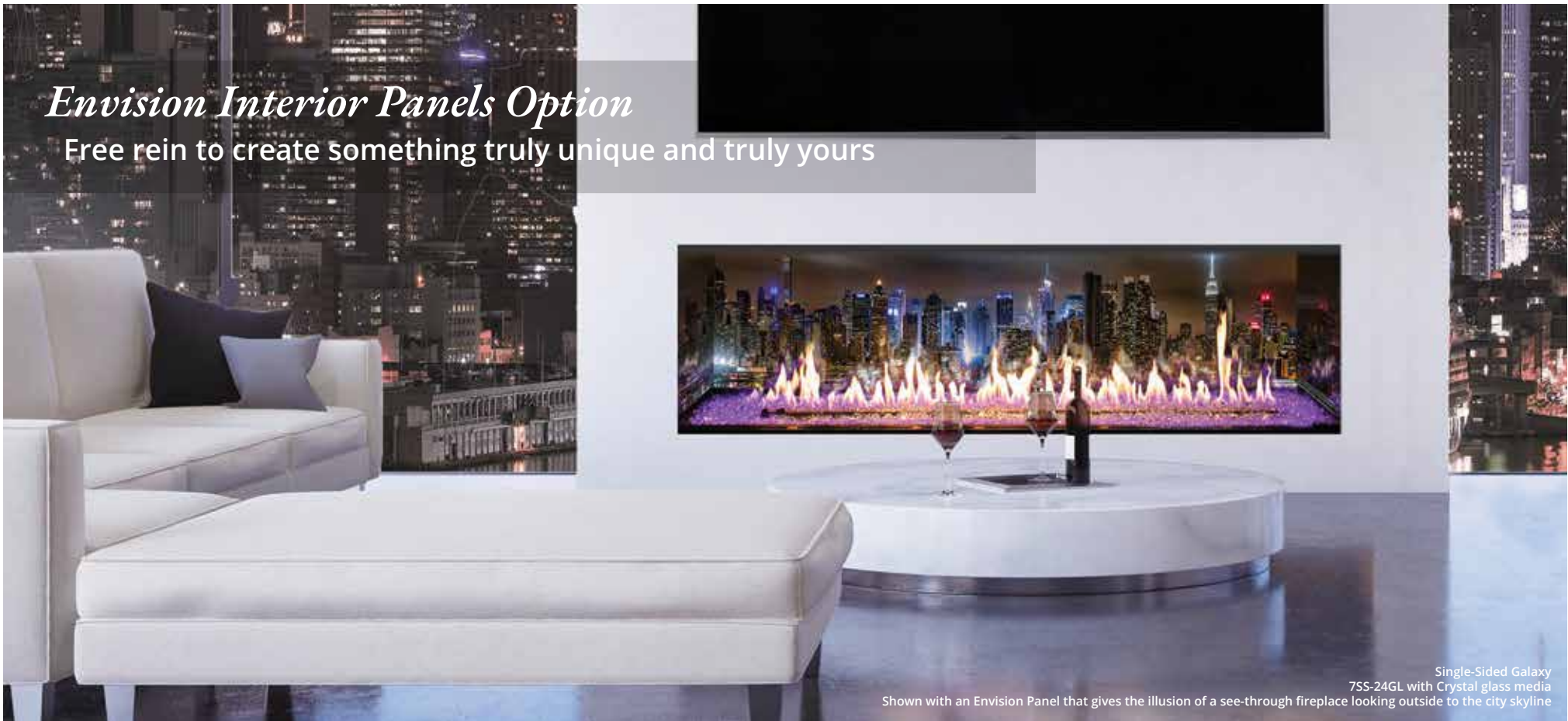
Not available for the four sided fireplaces



The driftwood and flame reflections fill up the firebox when paired with the optional mirrored panels, and the LED lights can change the look of the Crystal glass media to any color you are in the mood for.

Envision Interior Panels Option

Free rein to create something truly unique and truly yours



Single-Sided Galaxy
7SS-24GL with Crystal glass media

Shown with an Envision Panel that gives the illusion of a see-through fireplace looking outside to the city skyline



Any High-Definition Image Can Be Used

All we need is an image (300 DPI or higher) and we can customize the interior of your fireplace with whatever look you desire.

Create eye-catching interiors that can be easily changed out if you decide you'd like to refresh the look at a later date.

Create A One-Of-A-Kind Interior

Taking customization one step further, you can now put virtually anything you want inside your fireplace by printing the image of your choice onto interior glass panels.

The design potential is limitless to create a one-of-a-kind interior using artistic scenes, landscapes, business names or logos and more.

It's also a great way to match the exterior finishing materials such as brick, marble, tile or stone and have a seamless transition to the interior firebox with quick and easy installation.

The Envision panels can also be used on the exterior wall as a creative finishing material.

Not available for four-sided or round fireplaces



Driftwood Log Set Option

Bring A Little Touch Of The Outside Inside



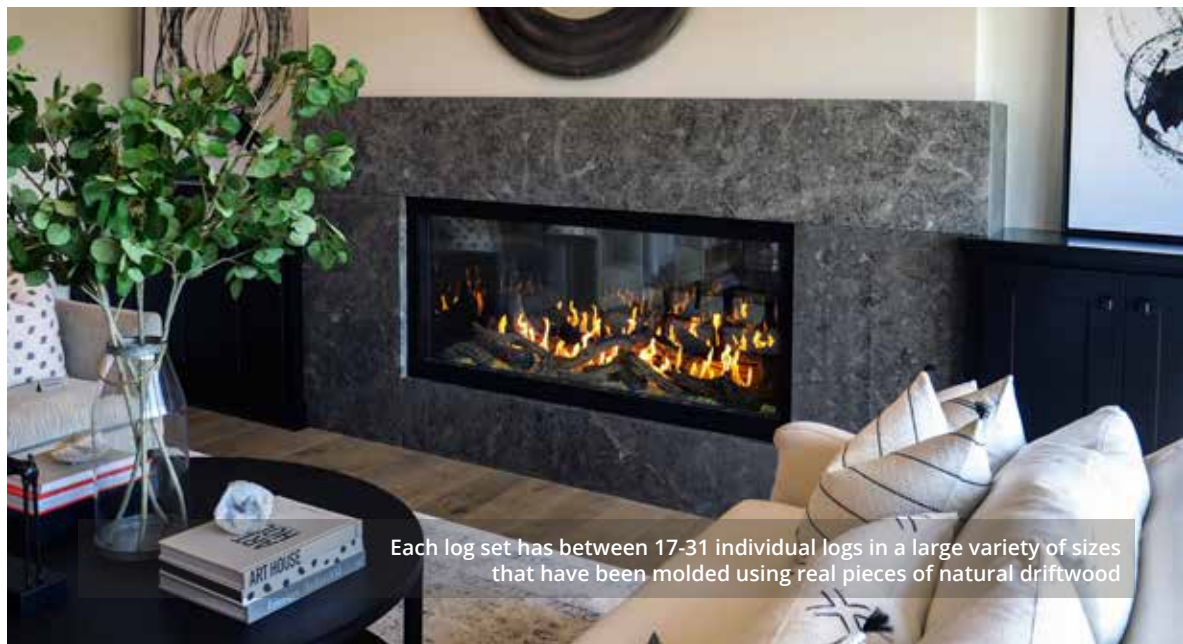
Galaxy Single-Sided Fireplace
Model 7SS-24GL
Shown with optional Envision panel, driftwood log set and natural stone

Beautiful Attention To Detail

The ribbon burner of the Galaxy fireplace may seem more contemporary at first thought, but when you add in the natural stone and a driftwood log set, you get the perfect blend of traditional and modern styles and a true classic, timeless look.

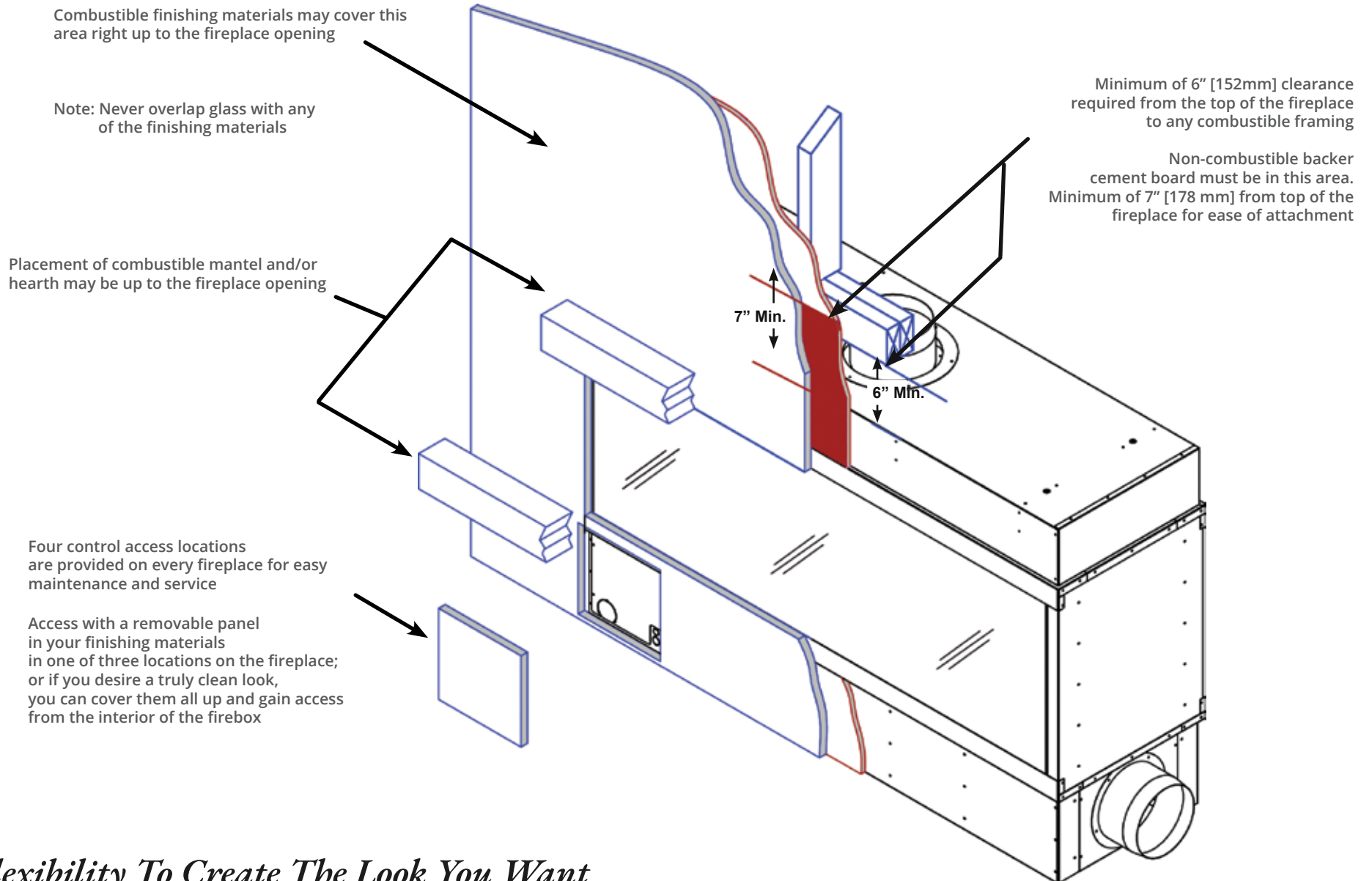
Shown above with the optional Envision interior panel, you feel like you are looking directly through the fireplace to a beautiful seascape sunset right outside your back door. The slight sheen to the panel creates subtle reflections that look different from every angle of the room.

Right: Galaxy Left-Corner Fireplace
Model 5LC-24GL
Shown with standard black interior, optional driftwood log set and natural stone



Each log set has between 17-31 individual logs in a large variety of sizes that have been molded using real pieces of natural driftwood

Finishing Guidelines



Flexibility To Create The Look You Want

How you finish the area off around the fireplace will increase its impact on the space and reflect who you are. Whether your taste is more subtle and you prefer the simplistic details of a clean modern look, or you appreciate the juxtaposition of combining natural with industrial materials, or you like to push the envelope using unexpected artistic twists, the Galaxy Series was designed with minimal clearances to combustibles so you can get as creative as you'd like.

Power vent Technology

Each fireplace in the Galaxy Series uses a power vent exhaust system, which allows for great installation flexibility as to where you can place the fireplace within the structure.

Each fireplace will vent off the top of the fireplace.* Whether the desired cap location is a vertical or side wall application, you have up to 110 feet and 11 elbows to plan your vent run with, allowing the fireplace to be right where you want it.

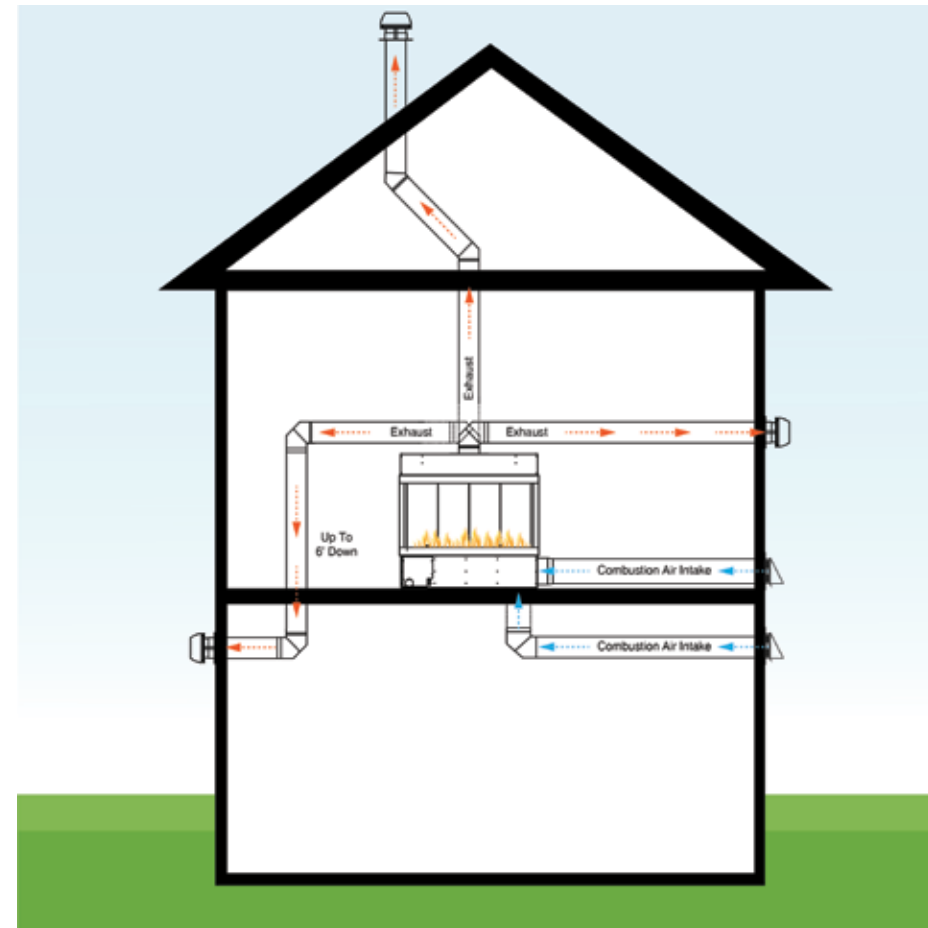
Both regular power vent or in-line options available.

Flexible Vent Runs

- Up to 110 feet
- Up to 11 elbows
- Up to 6' down
- For vent runs over 50' and/or 5+ elbows, consult with Stellar Hearth directly

Model	Flue	Outside Air
3'	8"	10"
4'	8"	10"
5'	8"	10"
6'	10"	10"
7'	10"	10"
8"	10"	12"

* If venting is desired/necessary off the sides, back or bottom of the fireplace, consult with your Stellar Hearth Products sales representative to have a full custom fireplace designed.



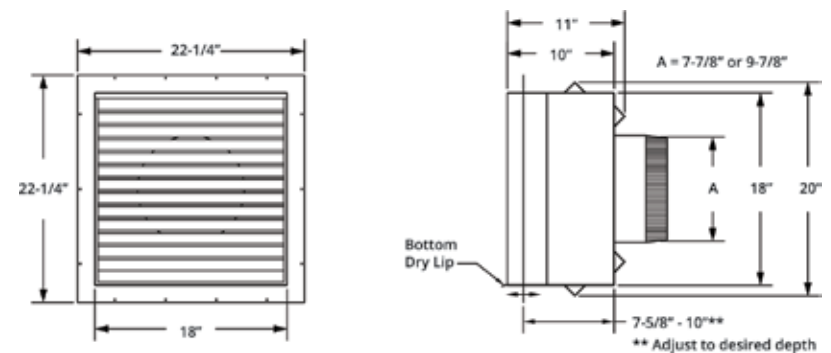
Universal Intake & Exhaust Louver

The sleek design of the universal louver is a great option to use for the termination cap for both the exhaust and air intake when using an in-line power vent, or for the outside air intake.



Features:

- 3' -7' use Louver-8 & Louver-10
- 8' use Louver-12 (for Intake Air Only)
- Flush Mount
- Properly sized to use either an 8", 10" or 12" collar
- UL Certified
- Aluminized Steel / Rain resistant
- Fully insulated
- Can be painted



Model	Flue	Outside Air	A	B	C	D	E	F
LOUVER-8	8"	10"	22-1/4"	22-1/4"	18"	7-7/8"	18"	18"
LOUVER-10	8"	10"	22-1/4"	22-1/4"	18"	9-7/8"	20"	20"
LOUVER-12	8"	10"	28-1/4"	28-1/4"	24"	11-7/8"	24"	26"

The Galaxy Series™

Indoor Outdoor See-Through Fireplace

The thoughtful design of the Galaxy Indoor Outdoor See-Through Fireplace is a creative choice for those rooms in your home that face beautiful outdoor sceneries, porches, patios, or other shared spaces.



4IDOD-24GL

Indoor Outdoor See-Through Galaxy shown with standard black interior, Crystal glass media and LED glass media lights

Standard Features:

- Wide variety of sizes to choose from:
3' to 8' Wide and 2' or 3' High View
- Beautiful ribbon burn
- Safe-T-Touch Glass system
- LED ember lights with remote control standard
- Crystal glass media standard
- Commercial grade components
- Co-linear direct vent system with
choice of standard power vent system or
in-line power vent system
- Wall switch - easy access to turn on/off
- Mechanical intake damper keeps the
cold air out
- Fully-insulated firebox base standard
- Stainless steel chassis

*All the great standard features of
The Galaxy Series™ and more -*

The firebox chassis and decorative glass frames are constructed using durable stainless steel with a matte black painted finish.

Air-intake vents built-in underneath the opening on the exterior and screens designed to seamlessly blend in with the decorative glass frame.

A stainless steel flashing between the fireplace and framing on the exterior keeps the cold air out.

Designed with commercial grade components, the indoor outdoor see-through fireplace is *built to withstand the outdoor elements.*



3IDOD-36GL
Indoor Outdoor See-Through Galaxy shown with standard black interior, Crystal glass media and LED glass media lights
Exterior view with air-intake vents at the bottom of the decorative glass frame



4IDOD-24GL
Indoor Outdoor See-Through Galaxy
shown with standard black interior,
Crystal glass media and LED glass media lights
Exterior view with air-intake vents at the bottom
of the decorative glass frame

The Galaxy Series™ Round Fireplace

Great for an open floor plan, the beautiful flames in the Galaxy Round fireplace can be seen from any location in the room.

Standard Features:

- Available in two sizes:
 - 3' Diameter X 2' High Glass
 - 3' Diameter X 3' High Glass
- Fully round firebox and glass
- Beautiful star ribbon burn
- Safe-T-Touch Glass system
- LED ember lights with remote control standard
- Crystal glass media standard
- Commercial grade components
- Co-linear direct vent system with choice of standard power vent system or in-line power vent system
- Wall switch - easy access to turn on/off
- Mechanical intake damper keeps the cold air out
- Fully-insulated firebox base standard

Options:

- Additional colors of glass media
- Variety of natural stone choices
- Driftwood log set
- Universal intake and exhaust louvers

Safe-T-Touch™ Glass

Our proprietary glass cooling system keeps the heat away from the outer glass surface to ensure a safe experience in any situation.

Round

Specifications

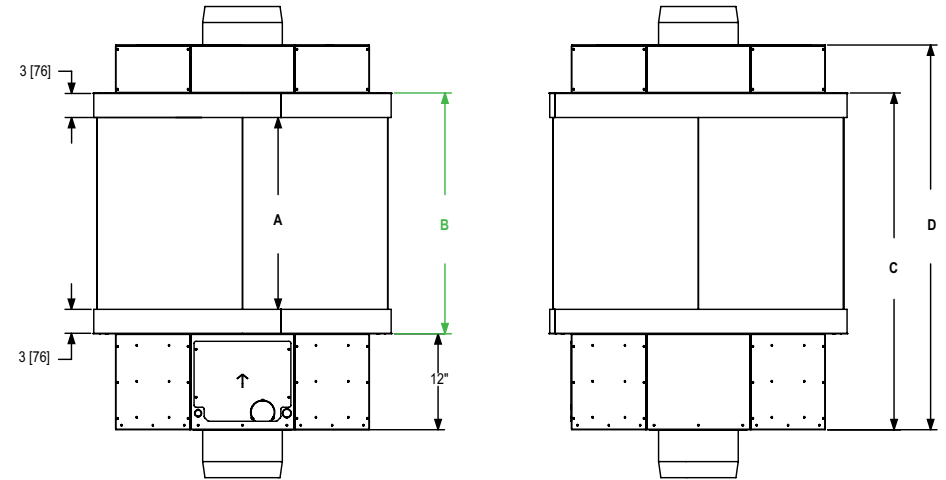
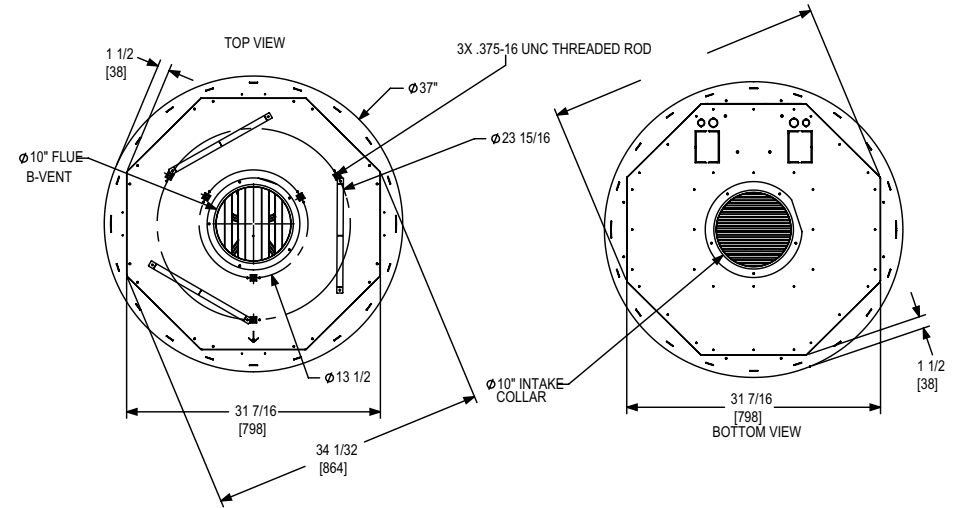
NOTE:
The hood shall be supported at specific locations using 1/4-20 UNC threaded rods. See installation instructions for quantity and placement.

Temporary supports are provided for installation.

- If using an in-line power vent, use a -IN after the model number at time of order
- It is important to refer to the installation and operating manual PRIOR to installation verify all measurements and clearances for your particular installation
- Dimensions are in inches and [millimeters]
- Air intake collar may be rotated to vent off the side, or from the bottom of the fireplace
- Use UL approved B-Vent pipe and follow all manufacturer installation guidelines.
- Vent run approved up to 110' with quantity of 11, 90 degree elbows. 1" clearance to B-Vent must be maintained

IMPORTANT: MINIMUM FRAMING DIMENSIONS ARE TO COMBUSTIBLES

The dimensions in green are the allowable finishing width and height required to fit the glass into the fireplace.
Finishing materials must not overlap these dimension.



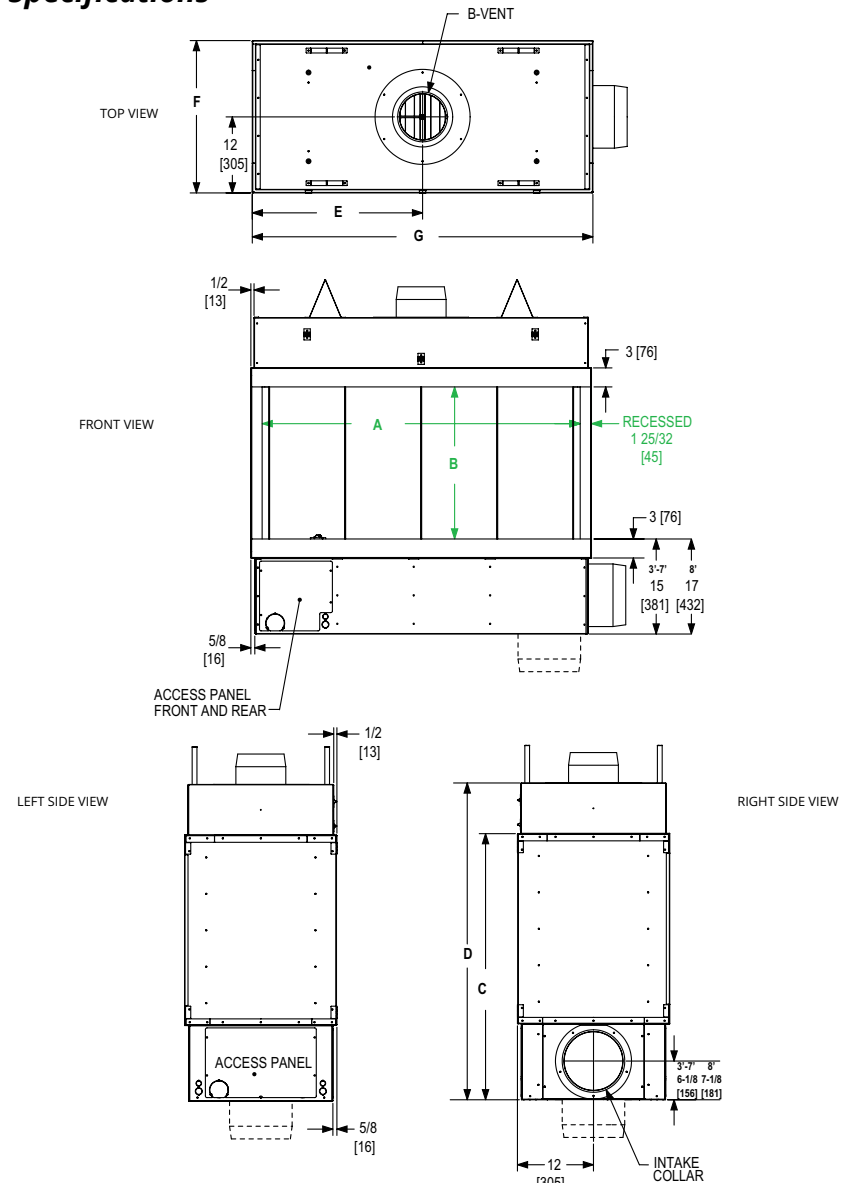
100,000 BTU's in a star ribbon burner create a firebox full of flames and is perfectly accented by the standard LED glass media lights and Crystal glass media

For more Galaxy Series images,
visit www.stellarhearth.com
CAD & BIM drawings for the Galaxy Series
available at CADDetails.com and ARCAT.com

ROUND - SPECIFICATIONS						FIREPLACE DIMENSIONS				FRAMING DIMENSIONS	
Model #	BTU'S	EXHAUST B-VENT	OUTSIDE AIR	RS SERIES POW-ER-VENT	IN-LINE POW-ER-VENT	A GLASS HEIGHT	B FINISHING HEIGHT	C HEIGHT TO TRIM TOP	D OVERALL HEIGHT	FRAMING HEIGHT	FRAMING DEPTH
3RD-24GL	100,000	10"	10"	RS012	RSIF160	24 [610]	30-1/8 [791]	42-1/8 [1,070]	48-1/8 [1,222]	54-1/8 [1,375]	Ø36
3RD-36GL	100,000	10"	10"	RS012	RSIF160	36 [914]	42-1/8 [1,070]	54-1/8 [1,375]	60-1/8 [1,527]	66-1/8 [1,680]	Ø36



Single-Sided Specifications



The dimensions in green are the allowable finishing width and height required to fit the glass into the fireplace. Finishing materials must not overlap these dimension.

- If using an in-line power vent, use a -IN after the model number at time of order
- It is important to refer to the installation and operating manual PRIOR to installation verify all measurements and clearances for your particular installation
- Dimensions are in inches and [millimeters]
- Air intake collar may be rotated to vent off the side, or from the bottom of the fireplace
- Use UL approved B-Vent pipe and follow all manufacturer installation guidelines
- Vent run approved up to 110' with quantity of 11, 90 degree elbows. 1" clearance to B-Vent must be maintained

IMPORTANT: MINIMUM FRAMING DIMENSIONS ARE TO COMBUSTIBLES WITH 1/2" CLEARANCE STANDOFFS IN PLACE

For more Galaxy Series images, visit www.stellarhearth.com
CAD & BIM drawings for the Galaxy Series available at CADDetails.com and ARCAT.com

65S-24GL
Single-Sided Galaxy shown with standard Crystal glass media and LED glass media light,
optional driftwood log set and mirrored panels

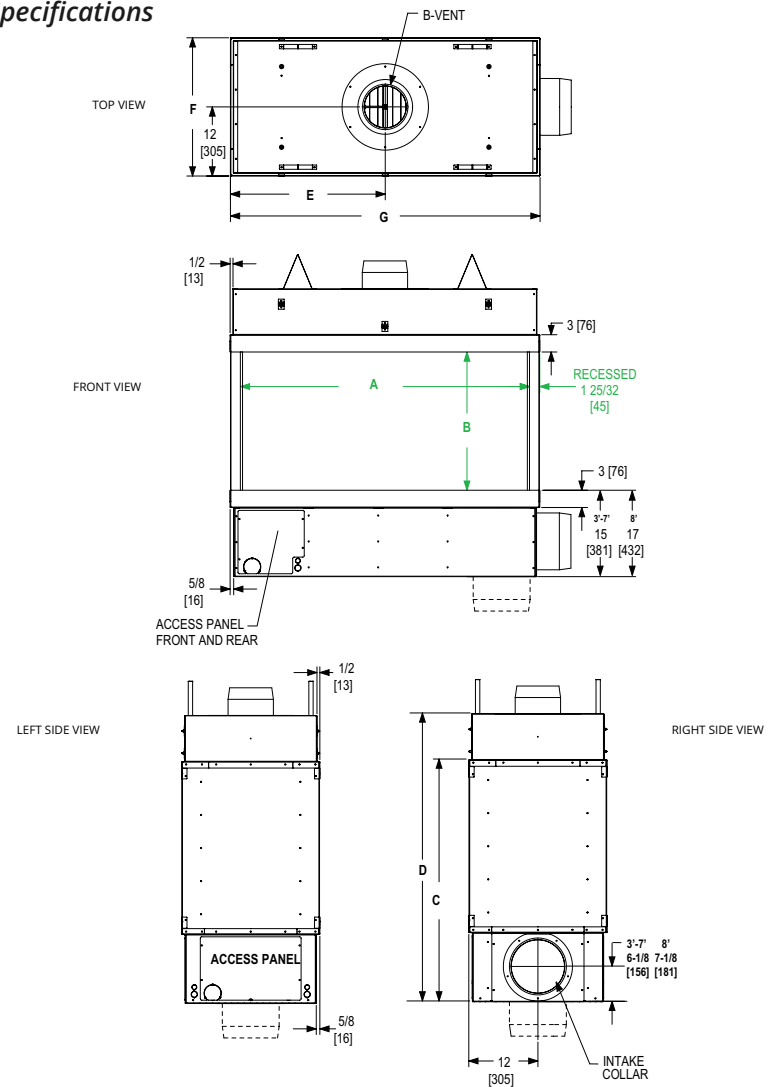
SINGLE SIDED - SPECIFICATIONS						SINGLE SIDED - FIREPLACE DIMENSIONS							MINIMUM FRAMING DIMENSIONS		
Model #	BTU'S	EXHAUST B-VENT	OUTSIDE AIR	RS SERIES POW-ER-VENT	IN-LINE POW-ER-VENT	A FINISHING WIDTH	B FINISHING HEIGHT	C HEIGHT TO TRIM TOP	D OVERALL HEIGHT	E CENTER OF VENT	F FIREBOX DEPTH	G OVER-ALL-WIDTH	WIDTH	HEIGHT	DEPTH
3SS-20GL	40,000	8"	10"	RS012	RSIF160	38-3/16 [970]	20 [508]	38 [1,067]	46 [1,168]	20-7/8 [530]	24-1/32 [610]	41-3/4 [1,065]	43-3/4 [1,111]	52 [1,321]	25-1/32 [636]
4SS-20GL	60,000	8"	10"	RS012	RSIF160	50-3/16 [1,275]	20 [508]	38 [1,067]	46 [1,168]	26-7/8 [683]	24-1/32 [610]	53-3/4 [1,365]	55-3/4 [1,416]	52 [1,321]	25-1/32 [636]
5SS-20GL	80,000	8"	10"	RS012	RSIF160	62-3/16 [1,580]	20 [508]	38 [1,067]	46 [1,168]	32-7/8 [835]	24-1/32 [610]	65-3/4 [1,670]	67-3/4 [1,721]	52 [1,321]	25-1/32 [636]
6SS-20GL	100,000	10"	10"	RS014	RSIF180	74-3/16 [1,884]	20 [508]	38 [1,067]	46 [1,168]	38-7/8 [987]	24-1/32 [610]	77-3/4 [1,975]	79-3/4 [2,026]	52 [1,321]	25-1/32 [636]
7SS-20GL	120,000	10"	10"	RS014	RSIF180	86-3/16 [2,189]	20 [508]	38 [1,067]	46 [1,168]	44-7/8 [1,140]	24-1/32 [610]	89-3/4 [2,280]	91-3/4 [2,330]	52 [1,321]	25-1/32 [636]
8SS-20GL	140,000	10"	12"	RS014	RSIF180	98-3/16 [2,494]	20 [508]	40 [1,067]	52 [1,321]	50-7/8 [1,321]	24-1/32 [610]	101-3/4 [2,584]	103-3/4 [2,635]	58 [1,473]	25-1/32 [636]
3SS-24GL	40,000	8"	10"	RS012	RSIF160	38-3/16 [970]	24 [610]	42 [1,067]	50 [1,270]	20-7/8 [530]	24-1/32 [610]	41-3/4 [1,065]	43-3/4 [1,111]	56 [1,422]	25-1/32 [636]
4SS-24GL	60,000	8"	10"	RS012	RSIF160	50-3/16 [1,275]	24 [610]	42 [1,067]	50 [1,270]	26-7/8 [683]	24-1/32 [610]	53-3/4 [1,365]	55-3/4 [1,416]	56 [1,422]	25-1/32 [636]
5SS-24GL	80,000	8"	10"	RS012	RSIF160	62-3/16 [1,580]	24 [610]	42 [1,067]	50 [1,270]	32-7/8 [835]	24-1/32 [610]	65-3/4 [1,670]	67-3/4 [1,721]	56 [1,422]	25-1/32 [636]
6SS-24GL	100,000	10"	10"	RS014	RSIF180	74-3/16 [1,884]	24 [610]	42 [1,067]	50 [1,270]	38-7/8 [987]	24-1/32 [610]	77-3/4 [1,975]	79-3/4 [2,026]	56 [1,422]	25-1/32 [636]
7SS-24GL	120,000	10"	10"	RS014	RSIF180	86-3/16 [2,189]	24 [610]	42 [1,067]	50 [1,270]	44-7/8 [1,140]	24-1/32 [610]	89-3/4 [2,280]	91-3/4 [2,330]	56 [1,422]	25-1/32 [636]
8SS-24GL	140,000	10"	12"	RS014	RSIF180	98-3/16 [2,494]	24 [610]	44 [1,118]	56 [1,422]	50-7/8 [1,321]	24-1/32 [610]	101-3/4 [2,584]	103-3/4 [2,635]	62 [1,574]	25-1/32 [636]
3SS-30GL	40,000	8"	10"	RS012	RSIF160	38-3/16 [970]	30 [762]	48 [1,219]	56 [1,422]	20-7/8 [530]	24-1/32 [610]	41-3/4 [1,065]	43-3/4 [1,111]	62 [1,574]	25-1/32 [636]
4SS-30GL	60,000	8"	10"	RS012	RSIF160	50-3/16 [1,275]	30 [762]	48 [1,219]	56 [1,422]	26-7/8 [683]	24-1/32 [610]	53-3/4 [1,365]	55-3/4 [1,416]	62 [1,574]	25-1/32 [636]
5SS-30GL	80,000	8"	10"	RS012	RSIF160	62-3/16 [1,580]	30 [762]	48 [1,219]	56 [1,422]	32-7/8 [835]	24-1/32 [610]	65-3/4 [1,670]	67-3/4 [1,721]	62 [1,574]	25-1/32 [636]
6SS-30GL	100,000	10"	10"	RS014	RSIF180	74-3/16 [1,884]	30 [762]	48 [1,219]	56 [1,422]	38-7/8 [987]	24-1/32 [610]	77-3/4 [1,975]	79-3/4 [2,026]	62 [1,574]	25-1/32 [636]
7SS-30GL	120,000	10"	10"	RS014	RSIF180	86-3/16 [2,189]	30 [762]	48 [1,219]	56 [1,422]	44-7/8 [1,140]	24-1/32 [610]	89-3/4 [2,280]	91-3/4 [2,330]	62 [1,574]	25-1/32 [636]
8SS-30GL	140,000	10"	12"	RS014	RSIF180	98-3/16 [2,494]	30 [762]	50 [1,270]	62 [1,575]	50-7/8 [1,321]	24-1/32 [610]	101-3/4 [2,584]	103-3/4 [2,635]	68 [1,727]	25-1/32 [636]
3SS-36GL	40,000	8"	10"	RS012	RSIF160	38-3/16 [970]	36 [914]	54 [1,372]	62 [1,575]	20-7/8 [530]	24-1/32 [610]	41-3/4 [1,065]	43-3/4 [1,111]	68 [1,727]	25-1/32 [636]
4SS-36GL	60,000	8"	10"	RS012	RSIF160	50-3/16 [1,275]	36 [914]	54 [1,372]	62 [1,575]	26-7/8 [683]	24-1/32 [610]	53-3/4 [1,365]	55-3/4 [1,416]	68 [1,727]	25-1/32 [636]
5SS-36GL	80,000	8"	10"	RS012	RSIF160	62-3/16 [1,580]	36 [914]	54 [1,372]	62 [1,575]	32-7/8 [835]	24-1/32 [610]	65-3/4 [1,670]	67-3/4 [1,721]	68 [1,727]	25-1/32 [636]
6SS-36GL	100,000	10"	10"	RS014	RSIF180	74-3/16 [1,884]	36 [914]	54 [1,372]	62 [1,575]	38-7/8 [987]	24-1/32 [610]	77-3/4 [1,975]	79-3/4 [2,026]	68 [1,727]	25-1/32 [636]
7SS-36GL	120,000	10"	10"	RS014	RSIF180	86-3/16 [2,189]	36 [914]	54 [1,372]	62 [1,575]	44-7/8 [1,140]	24-1/32 [610]	89-3/4 [2,280]	91-3/4 [2,330]	68 [1,727]	25-1/32 [636]
8SS-36GL	140,000	10"	12"	RS014	RSIF180	98-3/16 [2,494]	36 [914]	56 [1,422]	68 [1,727]	50-7/8 [1,321]	24-1/32 [610]	101-3/4 [2,584]	103-3/4 [2,635]	74 [1,880]	25-1/32 [636]



For more Galaxy Series images, visit www.stellarhearth.com
 CAD & BIM drawings for the Galaxy Series available at CADdetails.com and ARCAT.com

6ST-24GL
 See-Through Galaxy shown with standard LED glass media lights and Crystal glass media.

See-Through Specifications



The dimensions in green are the allowable finishing width and height required to fit the glass into the fireplace.
 Finishing materials must not overlap these dimension.

- If using an in-line power vent, use a -IN after the model number at time of order
- Fireplaces come standard with Crystal Glass Media. Optional colors and Natural Stone are available at an additional cost
- It is important to refer to the installation and operating manual PRIOR to installation verify all measurements and clearances for your particular installation
- Dimensions are in inches and [millimeters]
- Air intake collar may be rotated to vent off the side, or from the bottom of the fireplace
- Use UL approved B-Vent pipe and follow all manufacturer installation guidelines
- Vent run approved up to 110' with quantity of 11, 90 degree elbows. 1" clearance to B-Vent must be maintained

IMPORTANT: MINIMUM FRAMING DIMENSIONS ARE TO COMBUSTIBLES WITH 1/2" CLEARANCE STANDOFFS IN PLACE

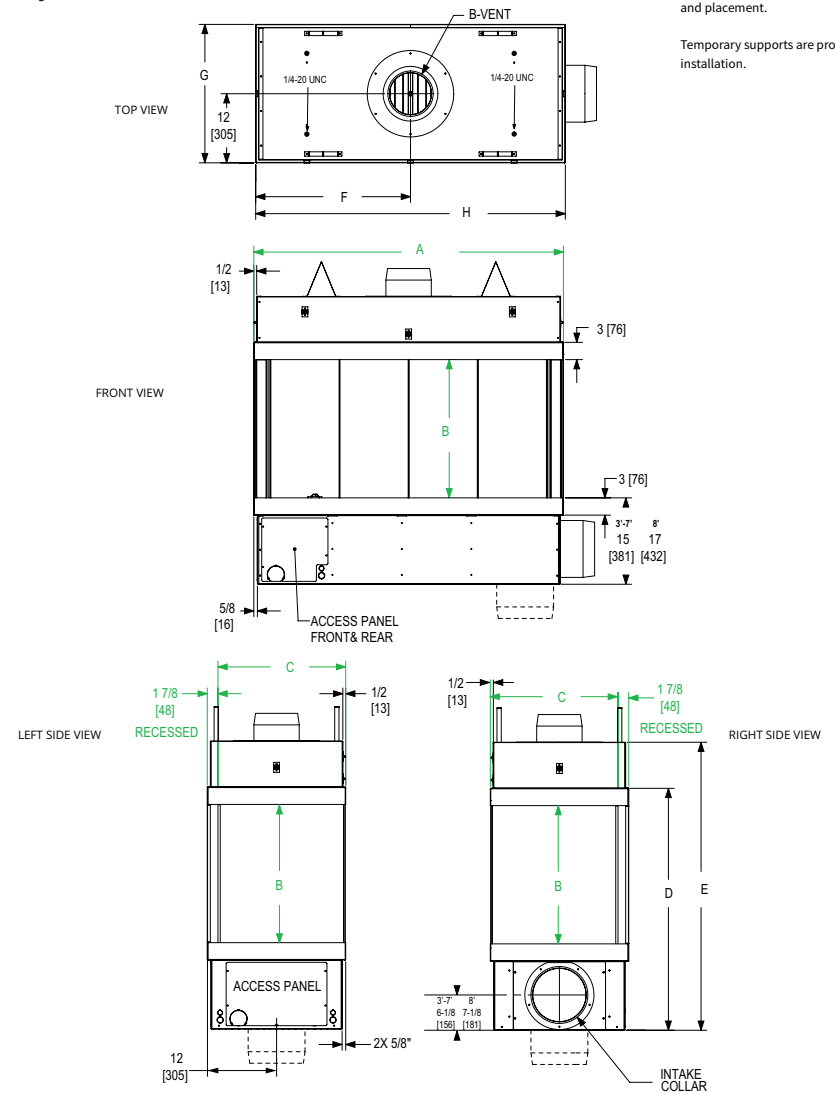
SEE-THROUGH - SPECIFICATIONS						SEE-THROUGH - FIREPLACE DIMENSIONS							MINIMUM FRAMING DIMENSIONS		
Model #	BTU'S	EXHAUST B-VENT	OUTSIDE AIR	RS SERIES POW-ER-VENT	IN-LINE POW-ER-VENT	A FINISHING WIDTH	B FINISHING HEIGHT	C HEIGHT TO TRIM TOP	D OVERALL HEIGHT	E CENTER OF VENT	F FIREBOX DEPTH	G OVER-ALL-WIDTH	WIDTH	HEIGHT	DEPTH
3ST-20GL	40,000	8"	10"	RS012	RSIF160	38-3/16 [970]	20 [508]	38 [1,067]	46 [1,168]	20-7/8 [530]	24 [610]	41-3/4 [1,065]	43-3/4 [1,111]	52 [1,321]	23 [584]
4ST-20GL	60,000	8"	10"	RS012	RSIF160	50-3/16 [1,275]	20 [508]	38 [1,067]	46 [1,168]	26-7/8 [683]	24 [610]	53-3/4 [1,365]	55-3/4 [1,416]	52 [1,321]	23 [584]
5ST-20GL	80,000	8"	10"	RS012	RSIF160	62-3/16 [1,580]	20 [508]	38 [1,067]	46 [1,168]	32-7/8 [835]	24 [610]	65-3/4 [1,670]	67-3/4 [1,721]	52 [1,321]	23 [584]
6ST-20GL	100,000	10"	10"	RS014	RSIF180	74-3/16 [1,884]	20 [508]	38 [1,067]	46 [1,168]	38-7/8 [987]	24 [610]	77-3/4 [1,975]	79-3/4 [2,026]	52 [1,321]	23 [584]
7ST-20GL	120,000	10"	10"	RS014	RSIF180	86-3/16 [2,189]	20 [508]	38 [1,067]	46 [1,168]	44-7/8 [1,140]	24 [610]	89-3/4 [2,280]	91-3/4 [2,330]	52 [1,321]	23 [584]
8ST-20GL	140,000	10"	12"	RS014	RSIF180	98-3/16 [2,494]	20 [508]	40 [1,016]	52 [1,321]	50-7/8 [1,321]	24 [610]	101-3/4 [2,584]	103-3/4 [2,635]	58 [1,473]	23 [584]
3ST-24GL	40,000	8"	10"	RS012	RSIF160	38-3/16 [970]	24 [610]	42 [1,067]	50 [1,270]	20-7/8 [530]	24 [610]	41-3/4 [1,065]	43-3/4 [1,111]	56 [1,422]	23 [584]
4ST-24GL	60,000	8"	10"	RS012	RSIF160	50-3/16 [1,275]	24 [610]	42 [1,067]	50 [1,270]	26-7/8 [683]	24 [610]	53-3/4 [1,365]	55-3/4 [1,416]	56 [1,422]	23 [584]
5ST-24GL	80,000	8"	10"	RS012	RSIF160	62-3/16 [1,580]	24 [610]	42 [1,067]	50 [1,270]	32-7/8 [835]	24 [610]	65-3/4 [1,670]	67-3/4 [1,721]	56 [1,422]	23 [584]
6ST-24GL	100,000	10"	10"	RS014	RSIF180	74-3/16 [1,884]	24 [610]	42 [1,067]	50 [1,270]	38-7/8 [987]	24 [610]	77-3/4 [1,975]	79-3/4 [2,026]	56 [1,422]	23 [584]
7ST-24GL	120,000	10"	10"	RS014	RSIF180	86-3/16 [2,189]	24 [610]	42 [1,067]	50 [1,270]	44-7/8 [1,140]	24 [610]	89-3/4 [2,280]	91-3/4 [2,330]	56 [1,422]	23 [584]
8ST-24GL	140,000	10"	12"	RS014	RSIF180	98-3/16 [2,494]	24 [610]	44 [1,118]	56 [1,422]	50-7/8 [1,321]	24 [610]	101-3/4 [2,584]	103-3/4 [2,635]	62 [1,574]	23 [584]
3ST-30GL	40,000	8"	10"	RS012	RSIF160	38-3/16 [970]	30 [762]	48 [1,219]	56 [1,422]	20-7/8 [530]	24 [610]	41-3/4 [1,065]	43-3/4 [1,111]	62 [1,574]	23 [584]
4ST-30GL	60,000	8"	10"	RS012	RSIF160	50-3/16 [1,275]	30 [762]	48 [1,219]	56 [1,422]	26-7/8 [683]	24 [610]	53-3/4 [1,365]	55-3/4 [1,416]	62 [1,574]	23 [584]
5ST-30GL	80,000	8"	10"	RS012	RSIF160	62-3/16 [1,580]	30 [762]	48 [1,219]	56 [1,422]	32-7/8 [835]	24 [610]	65-3/4 [1,670]	67-3/4 [1,721]	62 [1,574]	23 [584]
6ST-30GL	100,000	10"	10"	RS014	RSIF180	74-3/16 [1,884]	30 [762]	48 [1,219]	56 [1,422]	38-7/8 [987]	24 [610]	77-3/4 [1,975]	79-3/4 [2,026]	62 [1,574]	23 [584]
7ST-30GL	120,000	10"	10"	RS014	RSIF180	86-3/16 [2,189]	30 [762]	48 [1,219]	56 [1,422]	44-7/8 [1,140]	24 [610]	89-3/4 [2,280]	91-3/4 [2,330]	62 [1,574]	23 [584]
8ST-30GL	140,000	10"	12"	RS014	RSIF180	98-3/16 [2,494]	30 [762]	50 [1,270]	62 [1,575]	50-7/8 [1,321]	24 [610]	101-3/4 [2,584]	103-3/4 [2,635]	68 [1,727]	23 [584]
3ST-36GL	40,000	8"	10"	RS012	RSIF160	38-3/16 [970]	36 [914]	54 [1,372]	62 [1,575]	20-7/8 [530]	24 [610]	41-3/4 [1,065]	43-3/4 [1,111]	68 [1,727]	23 [584]
4ST-36GL	60,000	8"	10"	RS012	RSIF160	50-3/16 [1,275]	36 [914]	54 [1,372]	62 [1,575]	26-7/8 [683]	24 [610]	53-3/4 [1,365]	55-3/4 [1,416]	68 [1,727]	23 [584]
5ST-36GL	80,000	8"	10"	RS012	RSIF160	62-3/16 [1,580]	36 [914]	54 [1,372]	62 [1,575]	32-7/8 [835]	24 [610]	65-3/4 [1,670]	67-3/4 [1,721]	68 [1,727]	23 [584]
6ST-36GL	100,000	10"	10"	RS014	RSIF180	74-3/16 [1,884]	36 [914]	54 [1,372]	62 [1,575]	38-7/8 [987]	24 [610]	77-3/4 [1,975]	79-3/4 [2,026]	68 [1,727]	23 [584]
7ST-36GL	120,000	10"	10"	RS014	RSIF180	86-3/16 [2,189]	36 [914]	54 [1,372]	62 [1,575]	44-7/8 [1,140]	24 [610]	89-3/4 [2,280]	91-3/4 [2,330]	68 [1,727]	23 [584]
8ST-36GL	140,000	10"	12"	RS014	RSIF180	98-3/16 [2,494]	36 [914]	56 [1,422]	68 [1,727]	50-7/8 [1,321]	24 [610]	101-3/4 [2,584]	103-3/4 [2,635]	74 [1,880]	23 [584]



For more Galaxy Series images, visit www.stellarhearth.com
 CAD & BIM drawings for the Galaxy Series available at CADdetails.com and ARCAT.com

5BY-24GL
 Bay Galaxy shown with standard black interior, LED glass media lights and Crystal glass media

Bay Specifications



NOTE:
 The hood shall be supported at specific locations using 1/4-20 UNC threaded rods. See installation instructions for quantity and placement.

Temporary supports are provided for installation.

The dimensions in green are the allowable finishing width and height required to fit the glass into the fireplace. Finishing materials must not overlap these dimension.

- If using an in-line power vent, use a -IN after the model number at time of order
- Fireplaces come standard with Crystal Glass Media. Optional colors and Natural Stone are available at an additional cost
- It is important to refer to the installation and operating manual PRIOR to installation verify all measurements and clearances for your particular installation
- Dimensions are in inches and [millimeters]
- Air intake collar may be rotated to vent off the side, or from the bottom of the fireplace
- Use UL approved B-Vent pipe and follow all manufacturer installation guidelines
- Vent run approved up to 110' with quantity of 11, 90 degree elbows. 1" clearance to B-Vent must be maintained

IMPORTANT: MINIMUM FRAMING DIMENSIONS ARE TO COMBUSTIBLES WITH 1/2" CLEARANCE STANDOFFS IN PLACE

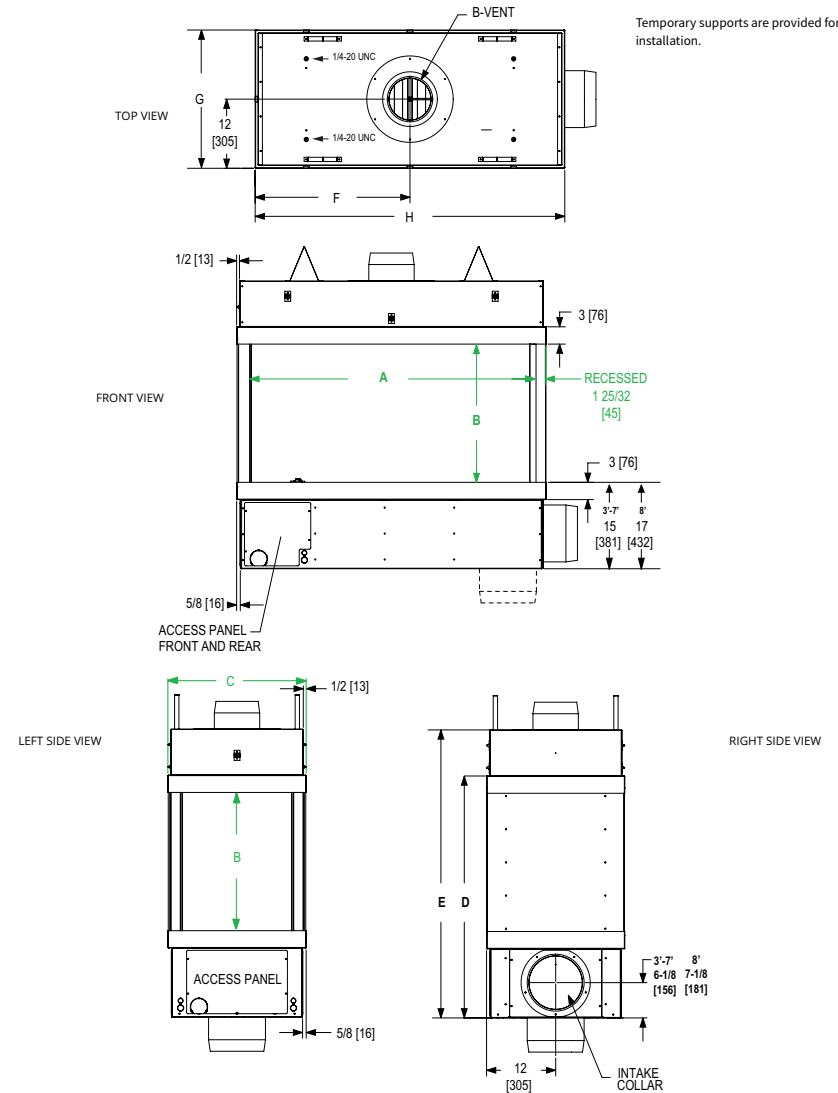
BAY - SPECIFICATIONS						BAY - FIREPLACE DIMENSIONS								MINIMUM FRAMING DIMENSIONS		
Model #	BTU'S	EXHAUST B-VENT	OUTSIDE AIR	RS SERIES POW-ER-VENT	IN-LINE POW-ER-VENT	A FINISHING WIDTH - FRONT	B FINISHING HEIGHT	C FINISHING WIDTH - END	D HEIGHT TO TRIM TOP	E OVERALL HEIGHT	F CENTER OF VENT	G FIREBOX DEPTH	H OVER-ALL-WIDTH	WIDTH	HEIGHT	DEPTH
3BY-20GL	40,000	8"	10"	RS012	RSIF160	41-3/4 [1,060]	20 [508]	22-3/16 [564]	38 [1,067]	46 [1,168]	20-7/8 [530]	24-1/32 [610]	41-3/4 [1,065]	40-3/4 [1,035]	52 [1,321]	25-1/32 [636]
4BY-20GL	60,000	8"	10"	RS012	RSIF160	53-3/4 [1,365]	20 [508]	22-3/16 [564]	38 [1,067]	46 [1,168]	26-7/8 [683]	24-1/32 [610]	53-3/4 [1,365]	52-3/4 [1,340]	52 [1,321]	25-1/32 [636]
5BY-20GL	80,000	8"	10"	RS012	RSIF160	65-3/4 [1,670]	20 [508]	22-3/16 [564]	38 [1,067]	46 [1,168]	32-7/8 [835]	24-1/32 [610]	65-3/4 [1,670]	64-3/4 [1,645]	52 [1,321]	25-1/32 [636]
6BY-20GL	100,000	10"	10"	RS014	RSIF180	77-3/4 [1,975]	20 [508]	22-3/16 [564]	38 [1,067]	46 [1,168]	38-7/8 [987]	24-1/32 [610]	77-3/4 [1,975]	76-3/4 [1,949]	52 [1,321]	25-1/32 [636]
7BY-20GL	120,000	10"	10"	RS014	RSIF180	89-3/4 [2,280]	20 [508]	22-3/16 [564]	38 [1,067]	46 [1,168]	44-7/8 [1,140]	24-1/32 [610]	89-3/4 [2,280]	88-3/4 [2,254]	52 [1,321]	25-1/32 [636]
8BY-20GL	140,000	10"	12"	RS014	RSIF180	101-3/4 [2,584]	20 [508]	22-3/16 [564]	40 [1,016]	52 [1,321]	50-7/8 [1,321]	24-1/32 [610]	101-3/4 [2,584]	100-3/4 [2,559]	58 [1,473]	25-1/32 [636]
3BY-24GL	40,000	8"	10"	RS012	RSIF160	41-3/4 [1,060]	24 [610]	22-3/16 [564]	42 [1,067]	50 [1,270]	20-7/8 [530]	24-1/32 [610]	41-3/4 [1,065]	40-3/4 [1,035]	56 [1,422]	25-1/32 [636]
4BY-24GL	60,000	8"	10"	RS012	RSIF160	53-3/4 [1,365]	24 [610]	22-3/16 [564]	42 [1,067]	50 [1,270]	26-7/8 [683]	24-1/32 [610]	53-3/4 [1,365]	52-3/4 [1,340]	56 [1,422]	25-1/32 [636]
5BY-24GL	80,000	8"	10"	RS012	RSIF160	65-3/4 [1,670]	24 [610]	22-3/16 [564]	42 [1,067]	50 [1,270]	32-7/8 [835]	24-1/32 [610]	65-3/4 [1,670]	64-3/4 [1,645]	56 [1,422]	25-1/32 [636]
6BY-24GL	100,000	10"	10"	RS014	RSIF180	77-3/4 [1,975]	24 [610]	22-3/16 [564]	42 [1,067]	50 [1,270]	38-7/8 [987]	24-1/32 [610]	77-3/4 [1,975]	76-3/4 [1,949]	56 [1,422]	25-1/32 [636]
7BY-24GL	120,000	10"	10"	RS014	RSIF180	89-3/4 [2,280]	24 [610]	22-3/16 [564]	42 [1,067]	50 [1,270]	44-7/8 [1,140]	24-1/32 [610]	89-3/4 [2,280]	88-3/4 [2,254]	56 [1,422]	25-1/32 [636]
8BY-24GL	140,000	10"	12"	RS014	RSIF180	101-3/4 [2,584]	24 [610]	22-3/16 [564]	44 [1,118]	56 [1,422]	50-7/8 [1,321]	24-1/32 [610]	101-3/4 [2,584]	100-3/4 [2,559]	62 [1,574]	25-1/32 [636]
3BY-30GL	40,000	8"	10"	RS012	RSIF160	41-3/4 [1,060]	30 [762]	22-3/16 [564]	48 [1,219]	56 [1,422]	20-7/8 [530]	24-1/32 [610]	41-3/4 [1,065]	40-3/4 [1,035]	62 [1,574]	25-1/32 [636]
4BY-30GL	60,000	8"	10"	RS012	RSIF160	53-3/4 [1,365]	30 [762]	22-3/16 [564]	48 [1,219]	56 [1,422]	26-7/8 [683]	24-1/32 [610]	53-3/4 [1,365]	52-3/4 [1,340]	62 [1,574]	25-1/32 [636]
5BY-30GL	80,000	8"	10"	RS012	RSIF160	65-3/4 [1,670]	30 [762]	22-3/16 [564]	48 [1,219]	56 [1,422]	32-7/8 [835]	24-1/32 [610]	65-3/4 [1,670]	64-3/4 [1,645]	62 [1,574]	25-1/32 [636]
6BY-30GL	100,000	10"	10"	RS014	RSIF180	77-3/4 [1,975]	30 [762]	22-3/16 [564]	48 [1,219]	56 [1,422]	38-7/8 [987]	24-1/32 [610]	77-3/4 [1,975]	76-3/4 [1,949]	62 [1,574]	25-1/32 [636]
7BY-30GL	120,000	10"	10"	RS014	RSIF180	89-3/4 [2,280]	30 [762]	22-3/16 [564]	48 [1,219]	56 [1,422]	44-7/8 [1,140]	24-1/32 [610]	89-3/4 [2,280]	88-3/4 [2,254]	62 [1,574]	25-1/32 [636]
8BY-30GL	140,000	10"	12"	RS014	RSIF180	101-3/4 [2,584]	30 [762]	22-3/16 [564]	50 [1,270]	62 [1,575]	50-7/8 [1,321]	24-1/32 [610]	101-3/4 [2,584]	100-3/4 [2,559]	68 [1,727]	25-1/32 [636]
3BY-36GL	40,000	8"	10"	RS012	RSIF160	41-3/4 [1,060]	36 [914]	22-3/16 [564]	54 [1,372]	62 [1,575]	20-7/8 [530]	24-1/32 [610]	41-3/4 [1,065]	40-3/4 [1,035]	68 [1,727]	25-1/32 [636]
4BY-36GL	60,000	8"	10"	RS012	RSIF160	53-3/4 [1,365]	36 [914]	22-3/16 [564]	54 [1,372]	62 [1,575]	26-7/8 [683]	24-1/32 [610]	53-3/4 [1,365]	52-3/4 [1,340]	68 [1,727]	25-1/32 [636]
5BY-36GL	80,000	8"	10"	RS012	RSIF160	65-3/4 [1,670]	36 [914]	22-3/16 [564]	54 [1,372]	62 [1,575]	32-7/8 [835]	24-1/32 [610]	65-3/4 [1,670]	64-3/4 [1,645]	68 [1,727]	25-1/32 [636]
6BY-36GL	100,000	10"	10"	RS014	RSIF180	77-3/4 [1,975]	36 [914]	22-3/16 [564]	54 [1,372]	62 [1,575]	38-7/8 [987]	24-1/32 [610]	77-3/4 [1,975]	76-3/4 [1,949]	68 [1,727]	25-1/32 [636]
7BY-36GL	120,000	10"	10"	RS014	RSIF180	89-3/4 [2,280]	36 [914]	22-3/16 [564]	54 [1,372]	62 [1,575]	44-7/8 [1,140]	24-1/32 [610]	89-3/4 [2,280]	88-3/4 [2,254]	68 [1,727]	25-1/32 [636]
8BY-36GL	140,000	10"	12"	RS014	RSIF180	101-3/4 [2,584]	36 [914]	22-3/16 [564]	56 [1,422]	68 [1,727]	50-7/8 [1,321]	24-1/32 [610]	101-3/4 [2,584]	100-3/4 [2,559]	74 [1,880]	25-1/32 [636]



Pier Specifications

NOTE:
The hood shall be supported at specific locations using 1/4-20 UNC threaded rods. See installation instructions for quantity and placement.

Temporary supports are provided for installation.



The dimensions in green are the allowable finishing width and height required to fit the glass into the fireplace. Finishing materials must not overlap these dimension.

- If using an in-line power vent, use a -IN after the model number at time of order
- Fireplaces come standard with Crystal Glass Media. Optional colors and Natural Stone are available at an additional cost
- It is important to refer to the installation and operating manual PRIOR to installation verify all measurements and clearances for your particular installation
- Dimensions are in inches and [millimeters]
- Air intake collar may be rotated to vent off the side, or from the bottom of the fireplace
- Use UL approved B-Vent pipe and follow all manufacturer installation guidelines
- Vent run approved up to 110' with quantity of 11, 90 degree elbows. 1" clearance to B-Vent must be maintained

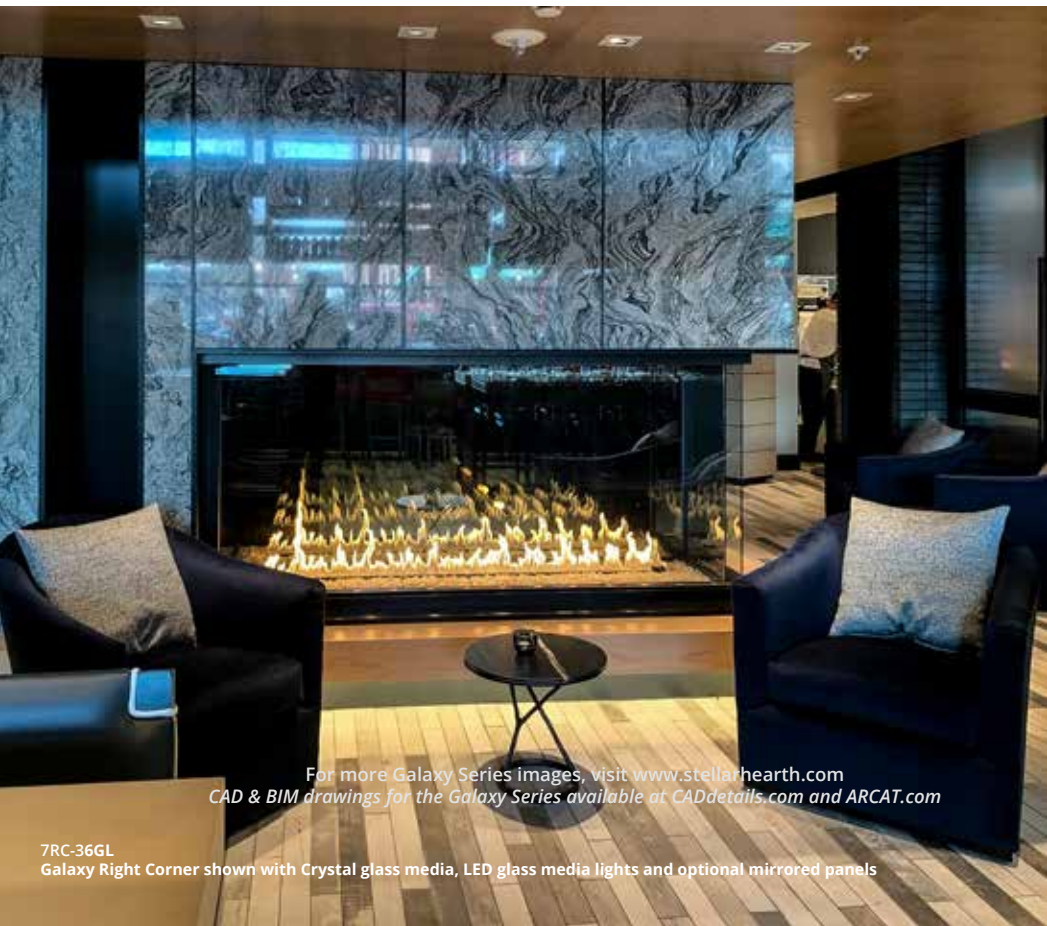
IMPORTANT: MINIMUM FRAMING DIMENSIONS ARE TO COMBUSTIBLES WITH 1/2" CLEARANCE STANDOFFS IN PLACE

For more Galaxy Series images, visit www.stellarhearth.com
CAD & BIM drawings for the Galaxy Series available at CADdetails.com and ARCAT.com

PIER - SPECIFICATIONS						PIER - FIREPLACE DIMENSIONS								MINIMUM FRAMING DIMENSIONS		
Model #	BTU'S	EXHAUST B-VENT	OUTSIDE AIR	RS SERIES POW-ER-VENT	IN-LINE POW-ER-VENT	A FINISHING WIDTH - FRONT	B FINISHING HEIGHT	C FINISHING WIDTH - END	D HEIGHT TO TRIM TOP	E OVERALL HEIGHT	F CENTER OF VENT	G FIREBOX DEPTH	H OVER-ALL-WIDTH	WIDTH	HEIGHT	DEPTH
3PR-20GL	40,000	8"	10"	RS012	RSIF160	39-31/32 [1,015]	20 [508]	24 [610]	38 [1,067]	46 [1,168]	20-7/8 [530]	24 [610]	41-3/4 [1,065]	42-3/4 [1,086]	52 [1,321]	23 [584]
4PR-20GL	60,000	8"	10"	RS012	RSIF160	51-31/32 [1,320]	20 [508]	24 [610]	38 [1,067]	46 [1,168]	26-7/8 [683]	24 [610]	53-3/4 [1,365]	54-3/4 [1,391]	52 [1,321]	23 [584]
5PR-20GL	80,000	8"	10"	RS012	RSIF160	63-31/32 [1,625]	20 [508]	24 [610]	38 [1,067]	46 [1,168]	32-7/8 [835]	24 [610]	65-3/4 [1,670]	66-3/4 [1,695]	52 [1,321]	23 [584]
6PR-20GL	100,000	10"	10"	RS014	RSIF180	75-31/32 [1,930]	20 [508]	24 [610]	38 [1,067]	46 [1,168]	38-7/8 [987]	24 [610]	77-3/4 [1,975]	78-3/4 [2,000]	52 [1,321]	23 [584]
7PR-20GL	120,000	10"	10"	RS014	RSIF180	87-31/32 [2,234]	20 [508]	24 [610]	38 [1,067]	46 [1,168]	44-7/8 [1,140]	24 [610]	89-3/4 [2,280]	90-3/4 [2,205]	52 [1,321]	23 [584]
8PR-20GL	140,000	10"	12"	RS014	RSIF180	99-22/23 [2,539]	20 [508]	24 [610]	40 [1,016]	52 [1,321]	50-7/8 [1,321]	24 [610]	101-3/4 [2,584]	102-3/4 [2,610]	58 [1,473]	23 [584]
3PR-24GL	40,000	8"	10"	RS012	RSIF160	39-31/32 [1,015]	24 [610]	24 [610]	42 [1,067]	50 [1,270]	20-7/8 [530]	24 [610]	41-3/4 [1,065]	42-3/4 [1,086]	56 [1,422]	23 [584]
4PR-24GL	60,000	8"	10"	RS012	RSIF160	51-31/32 [1,320]	24 [610]	24 [610]	42 [1,067]	50 [1,270]	26-7/8 [683]	24 [610]	53-3/4 [1,365]	54-3/4 [1,391]	56 [1,422]	23 [584]
5PR-24GL	80,000	8"	10"	RS012	RSIF160	63-31/32 [1,625]	24 [610]	24 [610]	42 [1,067]	50 [1,270]	32-7/8 [835]	24 [610]	65-3/4 [1,670]	66-3/4 [1,695]	56 [1,422]	23 [584]
6PR-24GL	100,000	10"	10"	RS014	RSIF180	75-31/32 [1,930]	24 [610]	24 [610]	42 [1,067]	50 [1,270]	38-7/8 [987]	24 [610]	77-3/4 [1,975]	78-3/4 [2,000]	56 [1,422]	23 [584]
7PR-24GL	120,000	10"	10"	RS014	RSIF180	87-31/32 [2,234]	24 [610]	24 [610]	42 [1,067]	50 [1,270]	44-7/8 [1,140]	24 [610]	89-3/4 [2,280]	90-3/4 [2,205]	56 [1,422]	23 [584]
8PR-24GL	140,000	10"	12"	RS014	RSIF180	99-22/23 [2,539]	24 [610]	24 [610]	44 [1,118]	56 [1,422]	50-7/8 [1,321]	24 [610]	101-3/4 [2,584]	102-3/4 [2,610]	62 [1,574]	23 [584]
3PR-30GL	40,000	8"	10"	RS012	RSIF160	39-31/32 [1,015]	30 [762]	24 [610]	48 [1,219]	56 [1,422]	20-7/8 [530]	24 [610]	41-3/4 [1,065]	42-3/4 [1,086]	62 [1,574]	23 [584]
4PR-30GL	60,000	8"	10"	RS012	RSIF160	51-31/32 [1,320]	30 [762]	24 [610]	48 [1,219]	56 [1,422]	26-7/8 [683]	24 [610]	53-3/4 [1,365]	54-3/4 [1,391]	62 [1,574]	23 [584]
5PR-30GL	80,000	8"	10"	RS012	RSIF160	63-31/32 [1,625]	30 [762]	24 [610]	48 [1,219]	56 [1,422]	32-7/8 [835]	24 [610]	65-3/4 [1,670]	66-3/4 [1,695]	62 [1,574]	23 [584]
6PR-30GL	100,000	10"	10"	RS014	RSIF180	75-31/32 [1,930]	30 [762]	24 [610]	48 [1,219]	56 [1,422]	38-7/8 [987]	24 [610]	77-3/4 [1,975]	78-3/4 [2,000]	62 [1,574]	23 [584]
7PR-30GL	120,000	10"	10"	RS014	RSIF180	87-31/32 [2,234]	30 [762]	24 [610]	48 [1,219]	56 [1,422]	44-7/8 [1,140]	24 [610]	89-3/4 [2,280]	90-3/4 [2,205]	62 [1,574]	23 [584]
8PR-30GL	140,000	10"	12"	RS014	RSIF180	99-22/23 [2,539]	30 [762]	24 [610]	50 [1,270]	62 [1,575]	50-7/8 [1,321]	24 [610]	101-3/4 [2,584]	102-3/4 [2,610]	68 [1,727]	23 [584]
3PR-36GL	40,000	8"	10"	RS012	RSIF160	39-31/32 [1,015]	36 [914]	24 [610]	54 [1,372]	62 [1,575]	20-7/8 [530]	24 [610]	41-3/4 [1,065]	42-3/4 [1,086]	68 [1,727]	23 [584]
4PR-36GL	60,000	8"	10"	RS012	RSIF160	51-31/32 [1,320]	36 [914]	24 [610]	54 [1,372]	62 [1,575]	26-7/8 [683]	24 [610]	53-3/4 [1,365]	54-3/4 [1,391]	68 [1,727]	23 [584]
5PR-36GL	80,000	8"	10"	RS012	RSIF160	63-31/32 [1,625]	36 [914]	24 [610]	54 [1,372]	62 [1,575]	32-7/8 [835]	24 [610]	65-3/4 [1,670]	66-3/4 [1,695]	68 [1,727]	23 [584]
6PR-36GL	100,000	10"	10"	RS014	RSIF180	75-31/32 [1,930]	36 [914]	24 [610]	54 [1,372]	62 [1,575]	38-7/8 [987]	24 [610]	77-3/4 [1,975]	78-3/4 [2,000]	68 [1,727]	23 [584]
7PR-36GL	120,000	10"	10"	RS014	RSIF180	87-31/32 [2,234]	36 [914]	24 [610]	54 [1,372]	62 [1,575]	44-7/8 [1,140]	24 [610]	89-3/4 [2,280]	90-3/4 [2,205]	68 [1,727]	23 [584]
8PR-36GL	140,000	10"	12"	RS014	RSIF180	99-22/23 [2,539]	36 [914]	24 [610]	56 [1,422]	68 [1,727]	50-7/8 [1,321]	24 [610]	101-3/4 [2,584]	102-3/4 [2,610]	74 [1,880]	23 [584]



4LC-24GL
Galaxy Left Corner shown with standard black interior and optional driftwood log set and natural stone



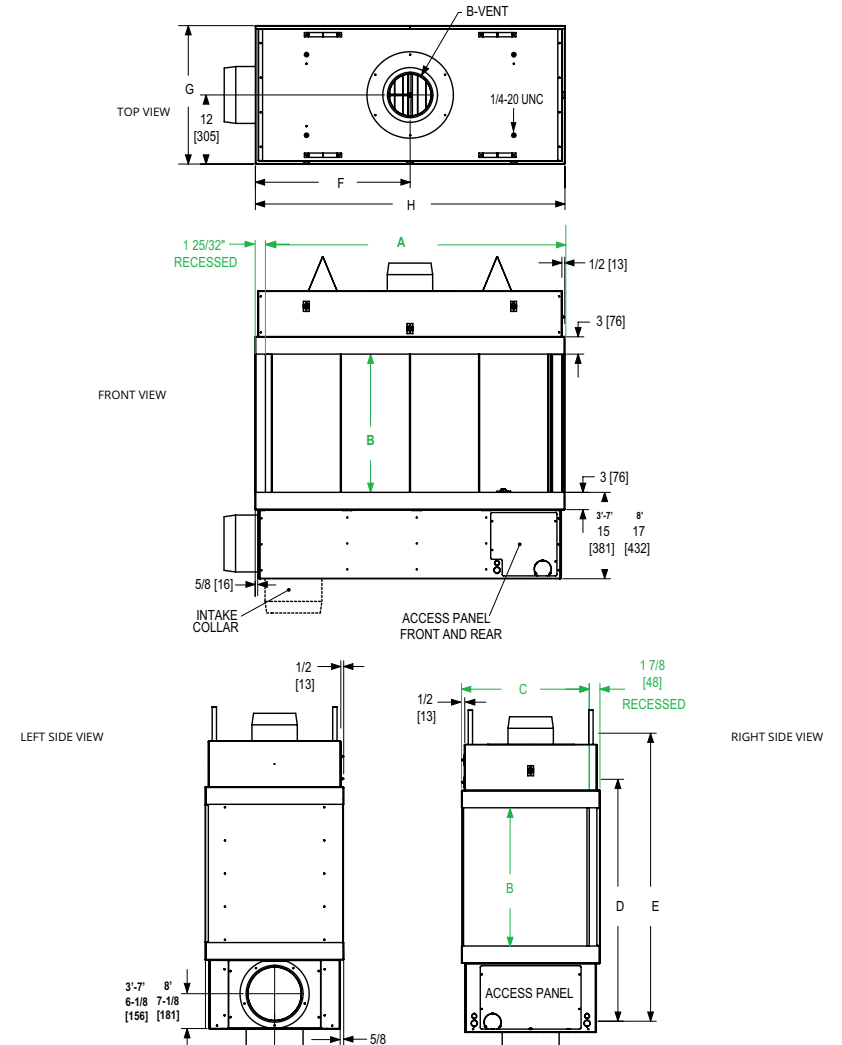
7RC-36GL
Galaxy Right Corner shown with Crystal glass media, LED glass media lights and optional mirrored panels

Left & Right Corner Specifications

NOTE: RIGHT CORNER SCHEMATIC SHOWN

NOTE:
The hood shall be supported at specific locations using 1/4-20 UNC threaded rods. See installation instructions for quantity and placement.

Temporary supports are provided for installation.



The dimensions in green are the allowable finishing width and height required to fit the glass into the fireplace.
Finishing materials must not overlap these dimension.

- If using an in-line power vent, use a -IN after the model number at time of order
- Fireplaces come standard with Crystal Glass Media. Optional colors and Natural Stone are available at an additional cost
- It is important to refer to the installation and operating manual PRIOR to installation verify all measurements and clearances for your particular installation
- Dimensions are in inches and [millimeters]
- Air intake collar may be rotated to vent off the side, or from the bottom of the fireplace
- Use UL approved B-Vent pipe and follow all manufacturer installation guidelines
- Vent run approved up to 110' with quantity of 11, 90 degree elbows. 1" clearance to B-Vent must be maintained

IMPORTANT: MINIMUM FRAMING DIMENSIONS ARE TO COMBUSTIBLES WITH 1/2" CLEARANCE STANDOFFS IN PLACE

LEFT & RIGHT CORNER - SPECIFICATIONS						LEFT & RIGHT CORNER - FIREPLACE DIMENSIONS								MINIMUM FRAMING DIMENSIONS		
Model #	BTU'S	EXHAUST B-VENT	OUTSIDE AIR	RS SERIES POW-ER-VENT	IN-LINE POW-ER-VENT	A FINISHING WIDTH - FRONT	B FINISHING HEIGHT	C FINISHING WIDTH - END	D HEIGHT TO TRIM TOP	E OVERALL HEIGHT	F CENTER OF VENT	G FIREBOX DEPTH	H OVER-ALL-WIDTH	WIDTH	HEIGHT	DEPTH
3LC-20GL 3RC-20GL	40,000	8"	10"	RS012	RSIF160	39-31/32 [1,015]	20 [508]	22-3/16 [564]	38 [1,067]	46 [1,168]	20-7/8 [530]	24-1/32 [610]	41-3/4 [1,065]	42-3/4 [1,086]	52 [1,321]	24-1/2 [622]
4LC-20GL 4RC-20GL	60,000	8"	10"	RS012	RSIF160	51-31/32 [1,320]	20 [508]	22-3/16 [564]	38 [1,067]	46 [1,168]	26-7/8 [683]	24-1/32 [610]	53-3/4 [1,365]	54-3/4 [1,391]	52 [1,321]	24-1/2 [622]
5LC-20GL 5RC-20GL	80,000	8"	10"	RS012	RSIF160	63-31/32 [1,625]	20 [508]	22-3/16 [564]	38 [1,067]	46 [1,168]	32-7/8 [835]	24-1/32 [610]	65-3/4 [1,670]	66-3/4 [1,695]	52 [1,321]	24-1/2 [622]
6LC-20GL 6RC-20GL	100,000	10"	10"	RS014	RSIF180	75-31/32 [1,930]	20 [508]	22-3/16 [564]	38 [1,067]	46 [1,168]	38-7/8 [987]	24-1/32 [610]	77-3/4 [1,975]	78-3/4 [2,000]	52 [1,321]	24-1/2 [622]
7LC-20GL 7RC-20GL	120,000	10"	10"	RS014	RSIF180	87-31/32 [2,234]	20 [508]	22-3/16 [564]	38 [1,067]	46 [1,168]	44-7/8 [1,140]	24-1/32 [610]	89-3/4 [2,280]	90-3/4 [2,205]	52 [1,321]	24-1/2 [622]
8LC-20GL 8RC-20GL	140,000	10"	12"	RS014	RSIF180	99-22/23 [2,539]	20 [508]	22-3/16 [564]	40 [1,016]	52 [1,321]	50-7/8 [1,321]	24-1/32 [610]	101-3/4 [2,584]	102-3/4 [2,610]	58 [1,473]	24-1/2 [622]
3LC-24GL 3RC-24GL	40,000	8"	10"	RS012	RSIF160	39-31/32 [1,015]	24 [610]	22-3/16 [564]	42 [1,067]	50 [1,270]	20-7/8 [530]	24-1/32 [610]	41-3/4 [1,065]	42-3/4 [1,086]	56 [1,422]	24-1/2 [622]
4LC-24GL 4RC-24GL	60,000	8"	10"	RS012	RSIF160	51-31/32 [1,320]	24 [610]	22-3/16 [564]	42 [1,067]	50 [1,270]	26-7/8 [683]	24-1/32 [610]	53-3/4 [1,365]	54-3/4 [1,391]	56 [1,422]	24-1/2 [622]
5LC-24GL 5RC-24GL	80,000	8"	10"	RS012	RSIF160	63-31/32 [1,625]	24 [610]	22-3/16 [564]	42 [1,067]	50 [1,270]	32-7/8 [835]	24-1/32 [610]]	65-3/4 [1,670]	66-3/4 [1,695]	56 [1,422]	24-1/2 [622]
6LC-24GL 6RC-24GL	100,000	10"	10"	RS014	RSIF180	75-31/32 [1,930]	24 [610]	22-3/16 [564]	42 [1,067]	50 [1,270]	38-7/8 [987]	24-1/32 [610]	77-3/4 [1,975]	78-3/4 [2,000]	56 [1,422]	24-1/2 [622]
7LC-24GL 7RC-24GL	120,000	10"	10"	RS014	RSIF180	87-31/32 [2,234]	24 [610]	22-3/16 [564]	42 [1,067]	50 [1,270]	44-7/8 [1,140]	24-1/32 [610]	89-3/4 [2,280]	90-3/4 [2,205]	56 [1,422]	24-1/2 [622]
8LC-24GL 8RC-24GL	140,000	10"	12"	RS014	RSIF180	99-22/23 [2,539]	24 [610]	22-3/16 [564]	44 [1,118]	56 [1,422]	50-7/8 [1,321]	24-1/32 [610]]	101-3/4 [2,584]	102-3/4 [2,610]	62 [1,574]	24-1/2 [622]
3LC-30GL 3RC-30GL	40,000	8"	10"	RS012	RSIF160	39-31/32 [1,015]	30 [762]	22-3/16 [564]	48 [1,219]	56 [1,422]	20-7/8 [530]	24-1/32 [610]	41-3/4 [1,065]	42-3/4 [1,086]	62 [1,574]	24-1/2 [622]
4LC-30GL 4RC-30GL	60,000	8"	10"	RS012	RSIF160	51-31/32 [1,320]	30 [762]	22-3/16 [564]	48 [1,219]	56 [1,422]	26-7/8 [683]	24-1/32 [610]	53-3/4 [1,365]	54-3/4 [1,391]	62 [1,574]	24-1/2 [622]
5LC-30GL 5RC-30GL	80,000	8"	10"	RS012	RSIF160	63-31/32 [1,625]	30 [762]	22-3/16 [564]	48 [1,219]	56 [1,422]	32-7/8 [835]	24-1/32 [610]	65-3/4 [1,670]	66-3/4 [1,695]	62 [1,574]	24-1/2 [622]
6LC-30GL 6RC-30GL	100,000	10"	10"	RS014	RSIF180	75-31/32 [1,930]	30 [762]	22-3/16 [564]	48 [1,219]	56 [1,422]	38-7/8 [987]	24-1/32 [610]	77-3/4 [1,975]	78-3/4 [2,000]	62 [1,574]	24-1/2 [622]
7LC-30GL 7RC-30GL	120,000	10"	10"	RS014	RSIF180	87-31/32 [2,234]	30 [762]	22-3/16 [564]]	48 [1,219]	56 [1,422]	44-7/8 [1,140]	24-1/32 [610]	89-3/4 [2,280]	90-3/4 [2,205]	62 [1,574]	24-1/2 [622]
8LC-30GL 8RC-30GL	140,000	10"	12"	RS014	RSIF180	99-22/23 [2,539]	30 [762]	22-3/16 [564]	50 [1,270]	62 [1,575]	50-7/8 [1,321]	24-1/32 [610]	101-3/4 [2,584]	102-3/4 [2,610]	68 [1,727]	24-1/2 [622]
3LC-36GL 3RC-36GL	40,000	8"	10"	RS012	RSIF160	39-31/32 [1,015]	36 [914]	22-3/16 [564]	54 [1,372]	62 [1,575]	20-7/8 [530]	24-1/32 [610]	41-3/4 [1,065]	42-3/4 [1,086]	68 [1,727]	24-1/2 [622]
4LC-36GL 4RC-36GL	60,000	8"	10"	RS012	RSIF160	51-31/32 [1,320]	36 [914]	22-3/16 [564]	54 [1,372]	62 [1,575]	26-7/8 [683]	24-1/32 [610]	53-3/4 [1,365]	54-3/4 [1,391]	68 [1,727]	24-1/2 [622]
5LC-36GL 5RC-36GL	80,000	8"	10"	RS012	RSIF160	63-31/32 [1,625]	36 [914]	22-3/16 [564]	54 [1,372]	62 [1,575]	32-7/8 [835]	24-1/32 [610]	65-3/4 [1,670]	66-3/4 [1,695]	68 [1,727]	24-1/2 [622]
6LC-36GL 6RC-36GL	100,000	10"	10"	RS014	RSIF180	75-31/32 [1,930]	36 [914]	22-3/16 [564]	54 [1,372]	62 [1,575]	38-7/8 [987]	24-1/32 [610]	77-3/4 [1,975]	78-3/4 [2,000]	68 [1,727]	24-1/2 [622]
7LC-36GL 7RC-36GL	120,000	10"	10"	RS014	RSIF180	87-31/32 [2,234]	36 [914]	22-3/16 [564]	54 [1,372]	62 [1,575]	44-7/8 [1,140]	24-1/32 [610]	89-3/4 [2,280]	90-3/4 [2,205]	68 [1,727]	24-1/2 [622]
8LC-36GL 8RC-36GL	140,000	10"	12"	RS014	RSIF180	99-22/23 [2,539]	36 [914]	22-3/16 [564]	56 [1,422]	68 [1,727]	50-7/8 [1,321]	24-1/32 [610]	101-3/4 [2,584]	102-3/4 [2,610]	74 [1,880]	24-1/2 [622]



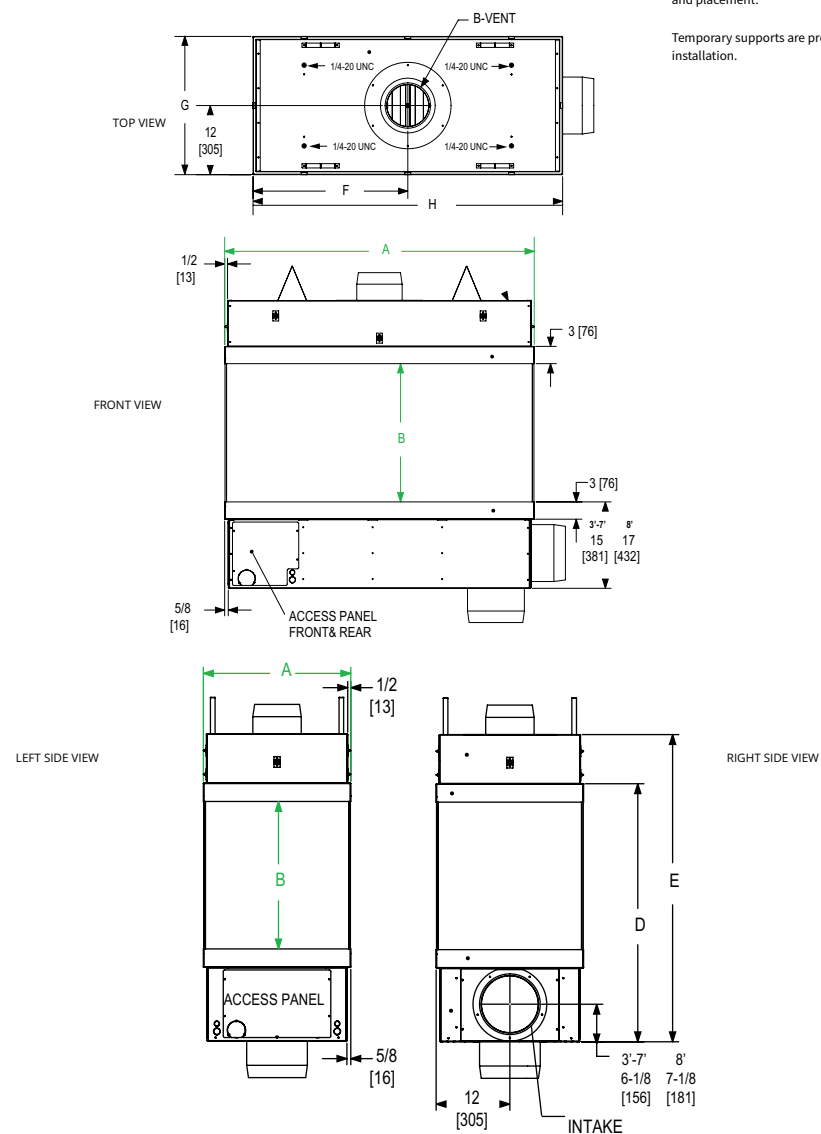
For more Galaxy Series images, visit www.stellarhearth.com
 CAD & BIM drawings for the Galaxy Series available at CADdetails.com and ARCAT.com

44S-24GL
 Galaxy Four Sided shown with black natural stone

Four Sided Specifications

NOTE:
 The hood shall be supported at specific locations using 1/4-20 UNC threaded rods. See installation instructions for quantity and placement.

Temporary supports are provided for installation.



The dimensions in green are the allowable finishing width and height required to fit the glass into the fireplace. Finishing materials must not overlap these dimension.

- If using an in-line power vent, use a -IN after the model number at time of order
- Fireplaces come standard with Crystal Glass Media. Optional colors and Natural Stone are available at an additional cost
- It is important to refer to the installation and operating manual PRIOR to installation verify all measurements and clearances for your particular installation
- Dimensions are in inches and [millimeters]
- Air intake collar may be rotated to vent off the side, or from the bottom of the fireplace
- Use UL approved B-Vent pipe and follow all manufacturer installation guidelines
- Vent run approved up to 110' with quantity of 11, 90 degree elbows. 1" clearance to B-Vent must be maintained

IMPORTANT: MINIMUM FRAMING DIMENSIONS ARE TO COMBUSTIBLES WITH 1/2" CLEARANCE STANDOFFS IN PLACE



Standard Ribbon Burner
 20,000 BTU's hr/input per foot of burner

FOUR SIDED - SPECIFICATIONS						FOUR SIDED - FIREPLACE DIMENSIONS								MINIMUM FRAMING DIMENSIONS		
Model #	BTU'S	EXHAUST B-VENT	OUTSIDE AIR	RS SERIES POW-ER-VENT	IN-LINE POW-ER-VENT	A FINISHING WIDTH - FRONT	B FINISHING HEIGHT	C FINISHING WIDTH - END	D HEIGHT TO TRIM TOP	E OVERALL HEIGHT	F CENTER OF VENT	G FIREBOX DEPTH	H OVER-ALL-WIDTH	WIDTH	HEIGHT	DEPTH
34S-20GL	40,000	8"	10"	RS012	RSIF160	41-3/4 [1,060]	20 [508]	24 [610]	38 [1,067]	46 [1,168]	20-7/8 [530]	24 [610]	41-3/4 [1,065]	40-3/4 [1,035]	52 [1,321]	23 [584]
44S-20GL	60,000	8"	10"	RS012	RSIF160	53-3/4 [1,365]	20 [508]	24 [610]	38 [1,067]	46 [1,168]	26-7/8 [683]	24 [610]	53-3/4 [1,365]	52-3/4 [1,340]	52 [1,321]	23 [584]
54S-20GL	80,000	8"	10"	RS012	RSIF160	65-3/4 [1,670]	20 [508]	24 [610]	38 [1,067]	46 [1,168]	32-7/8 [835]	24 [610]	65-3/4 [1,670]	64-3/4 [1,645]	52 [1,321]	23 [584]
64S-20GL	100,000	10"	10"	RS014	RSIF180	77-3/4 [1,975]	20 [508]	24 [610]	38 [1,067]	46 [1,168]	38-7/8 [987]	24 [610]	77-3/4 [1,975]	76-3/4 [1,949]	52 [1,321]	23 [584]
74S-20GL	120,000	10"	10"	RS014	RSIF180	89-3/4 [2,280]	20 [508]	24 [610]	38 [1,067]	46 [1,168]	44-7/8 [1,140]	24 [610]	89-3/4 [2,280]	88-3/4 [2,254]	52 [1,321]	23 [584]
84S-20GL	140,000	10"	12"	RS014	RSIF180	101-3/4 [2,584]	20 [508]	24 [610]	40 [1,016]	52 [1,321]	50-7/8 [1,321]	24 [610]	101-3/4 [2,584]	100-3/4 [2,559]	58 [1,473]	23 [584]
34S-24GL	40,000	8"	10"	RS012	RSIF160	41-3/4 [1,060]	24 [610]	24 [610]	42 [1,067]	50 [1,270]	20-7/8 [530]	24 [610]	41-3/4 [1,065]	40-3/4 [1,035]	56 [1,422]	23 [584]
44S-24GL	60,000	8"	10"	RS012	RSIF160	53-3/4 [1,365]	24 [610]	24 [610]	42 [1,067]	50 [1,270]	26-7/8 [683]	24 [610]	53-3/4 [1,365]	52-3/4 [1,340]	56 [1,422]	23 [584]
54S-24GL	80,000	8"	10"	RS012	RSIF160	65-3/4 [1,670]	24 [610]	24 [610]	42 [1,067]	50 [1,270]	32-7/8 [835]	24 [610]	65-3/4 [1,670]	64-3/4 [1,645]	56 [1,422]	23 [584]
64S-24GL	100,000	10"	10"	RS014	RSIF180	77-3/4 [1,975]	24 [610]	24 [610]	42 [1,067]	50 [1,270]	38-7/8 [987]	24 [610]	77-3/4 [1,975]	76-3/4 [1,949]	56 [1,422]	23 [584]
74S-24GL	120,000	10"	10"	RS014	RSIF180	89-3/4 [2,280]	24 [610]	24 [610]	42 [1,067]	50 [1,270]	44-7/8 [1,140]	24 [610]	89-3/4 [2,280]	88-3/4 [2,254]	56 [1,422]	23 [584]
84S-24GL	140,000	10"	12"	RS014	RSIF180	101-3/4 [2,584]	24 [610]	24 [610]	44 [1,118]	56 [1,422]	50-7/8 [1,321]	24 [610]	101-3/4 [2,584]	100-3/4 [2,559]	62 [1,574]	23 [584]
34S-30GL	40,000	8"	10"	RS012	RSIF160	41-3/4 [1,060]	30 [762]	24 [610]	48 [1,219]	56 [1,422]	20-7/8 [530]	24 [610]	41-3/4 [1,065]	40-3/4 [1,035]	62 [1,574]	23 [584]
44S-30GL	60,000	8"	10"	RS012	RSIF160	53-3/4 [1,365]	30 [762]	24 [610]	48 [1,219]	56 [1,422]	26-7/8 [683]	24 [610]	53-3/4 [1,365]	52-3/4 [1,340]	62 [1,574]	23 [584]
54S-30GL	80,000	8"	10"	RS012	RSIF160	65-3/4 [1,670]	30 [762]	24 [610]	48 [1,219]	56 [1,422]	32-7/8 [835]	24 [610]	65-3/4 [1,670]	64-3/4 [1,645]	62 [1,574]	23 [584]
64S-30GL	100,000	10"	10"	RS014	RSIF180	77-3/4 [1,975]	30 [762]	24 [610]	48 [1,219]	56 [1,422]	38-7/8 [987]	24 [610]	77-3/4 [1,975]	76-3/4 [1,949]	62 [1,574]	23 [584]
74S-30GL	120,000	10"	10"	RS014	RSIF180	89-3/4 [2,280]	30 [762]	24 [610]	48 [1,219]	56 [1,422]	44-7/8 [1,140]	24 [610]	89-3/4 [2,280]	88-3/4 [2,254]	62 [1,574]	23 [584]
84S-30GL	140,000	10"	12"	RS014	RSIF180	101-3/4 [2,584]	30 [762]	24 [610]	50 [1,270]	62 [1,575]	50-7/8 [1,321]	24 [610]	101-3/4 [2,584]	100-3/4 [2,559]	68 [1,727]	23 [584]
34S-36GL	40,000	8"	10"	RS012	RSIF160	41-3/4 [1,060]	36 [914]	24 [610]	54 [1,372]	62 [1,575]	20-7/8 [530]	24 [610]	41-3/4 [1,065]	40-3/4 [1,035]	68 [1,727]	23 [584]
44S-36GL	60,000	8"	10"	RS012	RSIF160	53-3/4 [1,365]	36 [914]	24 [610]	54 [1,372]	62 [1,575]	26-7/8 [683]	24 [610]	53-3/4 [1,365]	52-3/4 [1,340]	68 [1,727]	23 [584]
54S-36GL	80,000	8"	10"	RS012	RSIF160	65-3/4 [1,670]	36 [914]	24 [610]	54 [1,372]	62 [1,575]	32-7/8 [835]	24 [610]	65-3/4 [1,670]	64-3/4 [1,645]	68 [1,727]	23 [584]
64S-36GL	100,000	10"	10"	RS014	RSIF180	77-3/4 [1,975]	36 [914]	24 [610]	54 [1,372]	62 [1,575]	38-7/8 [987]	24 [610]	77-3/4 [1,975]	76-3/4 [1,949]	68 [1,727]	23 [584]
74S-36GL	120,000	10"	10"	RS014	RSIF180	89-3/4 [2,280]	36 [914]	24 [610]	54 [1,372]	62 [1,575]	44-7/8 [1,140]	24 [610]	89-3/4 [2,280]	88-3/4 [2,254]	68 [1,727]	23 [584]
84S-36GL	140,000	10"	12"	RS014	RSIF180	101-3/4 [2,584]	36 [914]	24 [610]	56 [1,422]	68 [1,727]	50-7/8 [1,321]	24 [610]	101-3/4 [2,584]	100-3/4 [2,559]	74 [1,880]	23 [584]



For more Galaxy Series Images, visit www.stellarhearth.com
 CAD & BIM drawings for the Galaxy Series available at CADdetails.com and ARCAT.com

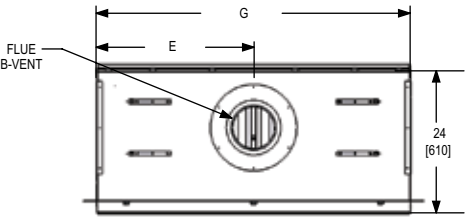
4IDOD-36GL
 Galaxy Indoor Outdoor See-Through shown with standard black interior, Crystal glass media and LED glass media lights



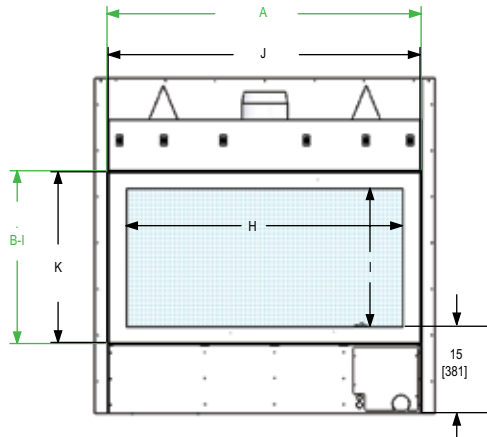
5IDOD-36GL
 Indoor Outdoor See-Through Galaxy shown with standard black interior, Crystal glass media and LED glass media lights
 Exterior view shows the air-intake vents at the bottom of the decorative front frame

INDOOR/OUTDOOR SEE THROUGH - SPECIFICATIONS						INDOOR/OUTDOOR		
Model #	BTU'S	EXHAUST B-VENT	OUTSIDE AIR	RS SERIES POWER-VENT	IN-LINE POWER-VENT	A FINISHING WIDTH - FRONT	BI FINISHING HEIGHT - INT	BE FINISHING HEIGHT - EXT
3IDOD-24GL	40,000	8"	10"	RS012	RSIF160	42-17/32 [1,080]	30 [762]	34-23/32 [2,600]
4IDOD-24GL	60,000	8"	10"	RS012	RSIF160	54-17/32 [1,385]	30 [762]	34-23/32 [2,600]
5IDOD-24GL	80,000	8"	10"	RS012	RSIF160	66-17/32 [1,690]	30 [762]	34-23/32 [2,600]
6IDOD-24GL	100,000	10"	10"	RS014	RSIF180	78-17/32 [1,995]	30 [762]	34-23/32 [2,600]
7IDOD-24GL	120,000	10"	10"	RS014	RSIF180	90-17/32 [2,299]	30 [762]	34-23/32 [2,600]
8IDOD-24GL	140,000	10"	12"	RS014	RSIF180	102-17/32 [2,604]	30 [762]	34-23/32 [2,600]
3IDOD-36GL	40,000	8"	10"	RS012	RSIF160	42-17/32 [1,080]	36 [914]	46-23/32 [1,187]
4IDOD-36GL	60,000	8"	10"	RS012	RSIF160	54-17/32 [1,385]	36 [914]	46-23/32 [1,187]
5IDOD-36GL	80,000	8"	10"	RS012	RSIF160	66-17/32 [1,690]	36 [914]	46-23/32 [1,187]
6IDOD-36GL	100,000	10"	10"	RS014	RSIF180	78-17/32 [1,995]	36 [914]	46-23/32 [1,187]
7IDOD-36GL	120,000	10"	10"	RS014	RSIF180	90-17/32 [2,299]	36 [914]	46-23/32 [1,187]
8IDOD-36GL	140,000	10"	12"	RS014	RSIF180	102-17/32 [2,604]	36 [914]	46-23/32 [1,187]

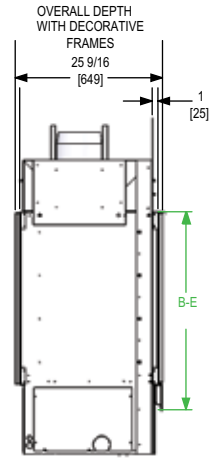
Indoor Outdoor See Through Specifications



TOP VIEW

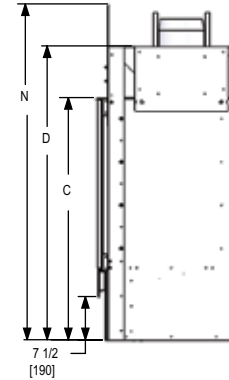


INTERIOR VIEW



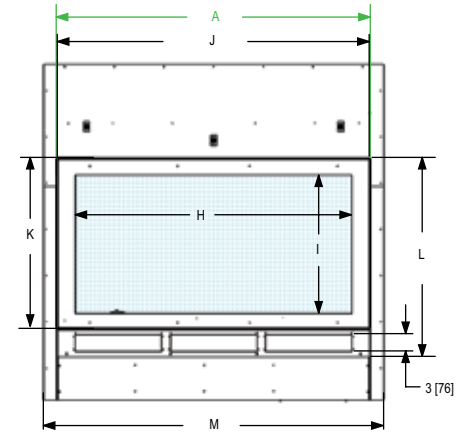
INTERIOR

EXTERIOR



EXTERIOR

INTERIOR



EXTERIOR VIEW

INDOOR SEE THROUGH - FIREPLACE DIMENSIONS					INDOOR/OUTDOOR SEE THROUGH - FIREPLACE DIMENSIONS							MINIMUM FRAMING DIMENSIONS			
C	D	E	F-INT	G	H	I	J	K	L	M	N	WIDTH	WIDTH	HEIGHT	DEPTH
HEIGHT TO TRIM TOP	OVERALL HEIGHT	CENTER OF VENT	FIREBOX DEPTH	OVER-ALL-WIDTH	VIEWING AREA WIDTH	VIEW AREA HEIGHT	GLASS FRAME WIDTH	GLASS FRAME HEIGHT	GLASS FRAME HEIGHT W/ OD INTAKE VENTS	OUTER FLANGE WIDTH	OUTER FLANGE HEIGHT	INTERIOR	EXTERIOR		
42-1/32 [1,067]	51 [1,295]	21-1/4 [540]	24 [610]	42-17/32 [1,080]	36 [914]	24 [610]	42-5/32 [1,071]	29-5/8 [752]	34-17/32 [877]	46-15/16 [1,192]	58-7/32 [1,479]	44-17/32 [1,131]	44-17/32 [1,131]	57 [1,448]	VARIES PER WALL THICKNESS
42-1/32 [1,067]	51 [1,295]	27-1/4 [692]	24 [610]	54-17/32 [1,385]	48 [1,219]	24 [610]	54-5/32 [1,375]	29-5/8 [752]	34-23/32 [882]	58-15/16 [1,497]	58-7/32 [1,479]	56-17/32 [1,436]	56-17/32 [1,436]	57 [1,448]	VARIES PER WALL THICKNESS
42-1/32 [1,067]	51 [1,295]	33-1/4 [845]	24 [610]	66-17/32 [1,690]	60 [1,524]	24 [610]	66-5/32 [1,680]	29-5/8 [752]	34-23/32 [882]	70-15/16 [1,802]	58-7/32 [1,479]	68-17/32 [1,741]	68-17/32 [2,046]	57 [1,448]	VARIES PER WALL THICKNESS
42-1/32 [1,067]	51 [1,295]	39-1/4 [848]	24 [610]	78-17/32 [1,995]	72 [1,829]	24 [610]	78-5/32 [1,985]	29-5/8 [752]	34-23/32 [882]	82-15/16 [2,107]	58-7/32 [1,479]	80-17/32 [2,046]	80-17/32 [2,046]	57 [1,448]	VARIES PER WALL THICKNESS
42-1/32 [1,067]	51 [1,295]	45-1/4 [1,149]	24 [610]	90-17/32 [2,299]	84 [2,134]	24 [610]	90-5/32 [2,290]	29-5/8 [752]	34-23/32 [882]	94-15/16 [2,411]	58-7/32 [1,479]	92-17/32 [2,350]	92-17/32 [2,350]	57 [1,448]	VARIES PER WALL THICKNESS
42-1/32 [1,067]	51 [1,295]	51-1/4 [1,302]	24 [610]	102-17/32 [2,604]	96 [2,438]	24 [610]	102-5/32 [2,595]	29-5/8 [752]	34-23/32 [882]	106-15/16 [2,716]	70-7/32 [1,783]	104-17/32 [2,655]	104-17/32 [2,655]	57 [1,448]	VARIES PER WALL THICKNESS
54-1/32 [1,372]	63 [1,600]	21-1/4 [540]	24 [610]	42-17/32 [1,080]	36 [914]	36 [914]	42-5/32 [1,071]	41-5/8 [1,057]	46-17/32 [1,182]	46-15/16 [1,192]	70-7/32 [1,783]	44-17/32 [1,131]	44-17/32 [1,131]	69 [1,753]	VARIES PER WALL THICKNESS
54-1/32 [1,372]	63 [1,600]	27-1/4 [692]	24 [610]	54-17/32 [1,385]	48 [1,219]	36 [914]	54-5/32 [1,375]	41-5/8 [1,057]	46-23/32 [1,187]	58-15/16 [1,497]	70-7/32 [1,783]	56-17/32 [1,436]	56-17/32 [1,436]	69 [1,753]	VARIES PER WALL THICKNESS
54-1/32 [1,372]	63 [1,600]	33-1/4 [845]	24 [610]	66-17/32 [1,690]	60 [1,524]	36 [914]	66-5/32 [1,680]	41-5/8 [1,057]	46-23/32 [1,187]	70-15/16 [1,802]	70-7/32 [1,783]	68-17/32 [1,741]	68-17/32 [2,046]	69 [1,753]	VARIES PER WALL THICKNESS
54-1/32 [1,372]	63 [1,600]	39-1/4 [848]	24 [610]	78-17/32 [1,995]	72 [1,829]	36 [914]	78-5/32 [1,985]	41-5/8 [1,057]	46-23/32 [1,187]	82-15/16 [2,107]	70-7/32 [1,783]	80-17/32 [2,046]	80-17/32 [2,046]	69 [1,753]	VARIES PER WALL THICKNESS
54-1/32 [1,372]	63 [1,600]	45-1/4 [1,149]	24 [610]	90-17/32 [2,299]	84 [2,134]	36 [914]	90-5/32 [2,290]	41-5/8 [1,057]	46-23/32 [1,187]	94-15/16 [2,411]	70-7/32 [1,783]	92-17/32 [2,350]	92-17/32 [2,350]	69 [1,753]	VARIES PER WALL THICKNESS
54-1/32 [1,372]	63 [1,600]	51-1/4 [1,302]	24 [610]	102-17/32 [2,604]	96 [2,438]	36 [914]	102-5/32 [2,595]	41-5/8 [1,057]	46-23/32 [1,187]	106-15/16 [2,716]	70-7/32 [1,783]	104-17/32 [2,655]	104-17/32 [2,655]	69 [1,753]	VARIES PER WALL THICKNESS



Custom Fireplace Solutions

If you didn't find the design or size you were looking for in the Galaxy Series™ - *no problem*

The Stellar Hearth Products team has won multiple hearth industry awards for fireplace innovation, and also has an exciting and limitless line of custom fireplaces for those unique fireplace designs that sit outside the standard parameters

Stellar Hearth Products will work with you collaboratively to help customize the perfect design of fireplace for your unique needs.

Any Shape - Any Size - For Any Location

- Safe-T-Touch Glass & Open Hearth (UL Certified)
- Indoor, Outdoor or Indoor-Outdoor See-Through
- Quarter-round, half-round or fully-round
- Modern or traditional interiors
- Fully customize to make one-of-a-kind with options like elevated burners, natural wood or driftwood log sets, reflective mirrors, glass or stone media, Envision panels, laser cut designs, LED lights and more

- Get Started Today -

Enter your fireplace project specifications in the *Build Your Own Custom Fireplace Configurator*
www.stellarhearth.com

Stellar Hearth Products
is a division of Hearth & Home Technologies, Inc.



Stellar Hearth Products strive to combine bold creativity and advanced technology collaboratively with our customer's vision, resulting in compelling fire features for interior and exterior hearth projects.

16873 Fish Point Rd SE - Prior Lake, MN - 55372 (P) 952-224-4072 (E) info@stellarhearth.com

We have partnered with some of the finest hearth dealers across the United States and Canada. For more information on where you can buy Stellar Hearth Products in your area, please contact:

